

Surge Voltage Protection Adapter for Mobile Phone and Radio Link Systems COAXTRAB

Stay on the air with COAXTRAB. For the connection of antennae in transceiver systems with F or N connectors, COAXTRAB offers ideal surge voltage protection. Thanks to the good impedance matching, high transmission capacities of frequencies up to 3 GHz are no problem.

As coarse protection, there is a replaceable gas-filled surge voltage arrester in the CN-UB-280DC... adapter housing. In the case of a fault the surge voltage arrester can be removed by unscrewing a screw in the housing and inserting the replacement CN-UB-G1 gas arrester.

The protective adapter can be mounted permanently, in the switch cabinet, for example, with the CN-UB assembly board.



COAXTRAB CN-UB-280DC

with N-Connector



Technical data

COAXTRAB, as surge voltage protection for coaxial cables	N-Connector N-Connector
Reserve gas-filled surge arrester	
CN-UB assembly board	

Type	Article no.	Pcs. Pkt.
CN-UB-280DC-SB¹⁾	28 18 14 8	1
CN-UB-280DC-BB¹⁾	28 18 85 0	1
CN-UB-G1	28 18 20 3	10
CN-UB/MP	28 18 13 5	10

Technical data

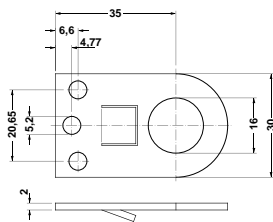
IEC category/VDE requirement class:
 Arrester rated voltage (highest constant volt.) U_C :
 Nominal current I_N :
 Operating current I_C at U_C :
 Nominal discharge surge current I_n (8/20):
 Output voltage threshold at 1 kV/ μ s: asym. (\pm)
 Protection level U_p : asym. (\pm)
 Response time t_a : asym. (\pm)
 Cut-off frequency f_G (3 dB) (typ.): asym. in a 50 Ω system
 Standing wave ratio (SWR) in a 50 Ω system:
 perm. HF power P_{max} at SWR= 1.1/ ∞ in a 50 Ω system:
 Capacitance (typ.): asym. (GND/ \pm)
 Connection:
 Temperature range:
 Protection type in acc. with IEC 529/ EN 60 529:
 Approvals:

C2, C3, D1
 280 V DC
 5 A/25 °C
 $\leq 1 \mu$ A
 20 kA
 ≤ 700 V
 ≤ 700 V
 ≤ 100 ns
 > 3 GHz
 ≤ 1.1 bis 2.0 GHz
 700 W/200 W
 1.5 pF
 N-Connector 50 Ω
 - 25 °C bis + 80 °C
 IP 55

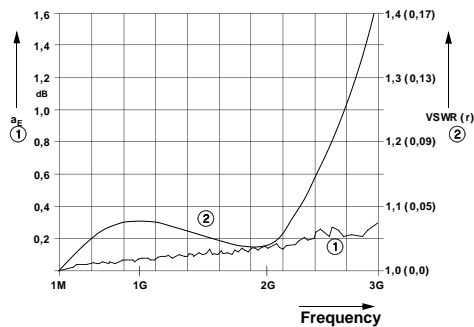
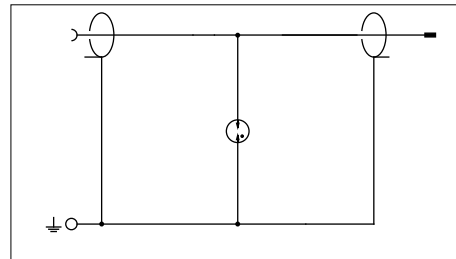
Based on test standards:

Draft IEC 61643-21:2000-09, E VDE 0845 T.3-1:1999-07

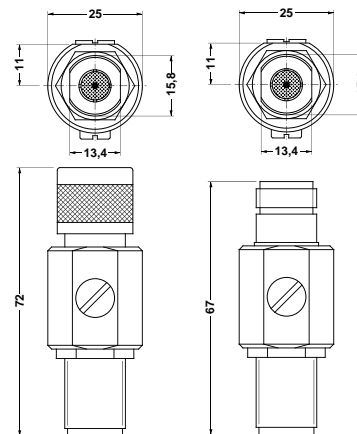
¹⁾ with 7/16 connectors on request



Dimensional drawing CN-UB assembly board



① Typical attenuation curve CN-UB-280DC...
 ② Typical VSWR on CN-UB-280DC...



Dimensional drawing CN-UB 280 DC-SB and CN-UB 280 DC-BB

COAXTRAB CF-UB-280DC-SB-SET

with F-Connector



Technical data

COAXTRAB , as surge voltage protection for coaxial cables	N-Connector N-Connector
Reserve gas-filled surge arrester	
CN-UB assembly board	

Type	Article no.	Pcs. Pkt.
CF-UB-280DC-SB-SET	28 39 54 1	1
CN-UB-G1	28 18 20 3	10
CN-UB/MP	28 18 13 5	10

Technical data

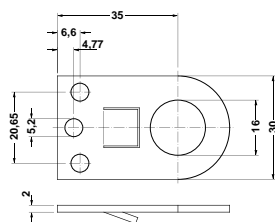
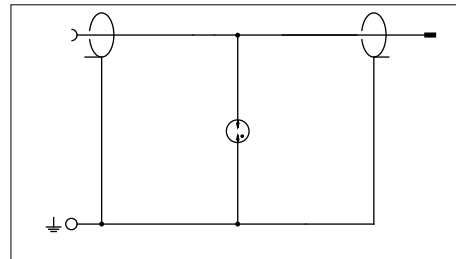
IEC category/VDE requirement class:
 Arrester rated voltage (highest constant volt.) U_C :
 Operating current I_C at U_C :
 Nominal discharge surge current I_n (8/20):
 Output voltage threshold at 1 kV/ μ s:
 Protection level U_p :
 Response time t_a :
 Cut-off frequency f_g (3 dB) (typ.):
 Capacitance (typ.):
 Connection:
 Temperature range:
 Protection type in acc. with IEC 529/ EN 60 529

C2, C3, D1
 280 V DC
 $\leq 1 \mu A$
 10 kA
 $\leq 700 V$
 $\leq 700 V$
 $\leq 100 ns$
 $> 2 GHz$
 1.5 pF
 F-Connector 75 Ω
 $-20 \text{ }^\circ C$ bis $+80 \text{ }^\circ C$
 IP 55

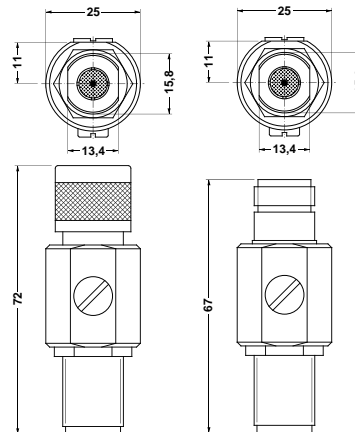
Based on test standards:

Draft IEC 61643-21:2000-09, E VDE 0845 T.3-1:1999-07

1) with 7/16 connectors on request



Dimensional drawing CN-UB assembly board



Dimensional drawing CN-UB 280 DC-SB and CN-UB 280 DC-BB