

# Wireless Transmitter Series XYR 6000

## Absolute Pressure Model STAW94L 0 to 500 psia 0 to 35 barA

### Specifications

34-XY-03-23 March 2012



#### Introduction

Building upon the tremendously successful ST 3000 series transmitter line; Honeywell brings simple, safe, and secure wireless technology to its measurement portfolio in the XYR 6000 Series Wireless Transmitters.

The XYR 6000 series measurements are part of the Honeywell OneWireless system and are ISA100 – ready field devices.

Measurement and information without wires! The XYR 6000 wireless transmitter series enable customers to obtain data and create information from remote and hazardous measurement locations without the need to run wires, where running wire is cost prohibitive and/or the measurement is in a hazardous location. Without wires, transmitters can be installed and operational in minutes, quickly providing information back to your system.

XYR 6000 wireless transmitters send information to an multinode or series of multinodes creating a MESH infrastructure. Wireless System Gateways (WSG) provide the path to bring that information into Experion PKS or any other control system wirelessly via OPC client or Modbus-TCP.

Each multinode accepts signals from up to 20 wireless transmitters reporting at 1 second, and up to 100 transmitters reporting at slower rates.

Up to 22 multinodes can be implemented in the same infrastructure.



Figure 1 — XYR6000 Absolute Pressure Transmitters

Transmitter power is supplied by two “D” size lithium batteries with an expected lifetime of up to ten years. Transmitter range with the integral antenna is 1,000’ (305 m) under ideal conditions. The STAW series Absolute Pressure transmitters can be used in applications in which high accuracy in the vacuum range of pressure is needed. Typical applications include low-pressure measurement in vacuum distillation columns, where energy savings are directly proportional to the vacuum in the column. Implement the value of wireless technology today: Measure remote access points simply, safe and securely

- Obtain and utilize previously inaccessible information due to high wiring cost or hazardous locations.
- Easily meet Regulatory Requirements
- Improve process efficiency
- Enhance Flexibility to monitor applications:
  - that have no access to power
  - that are remote or difficult to reach
  - that may require frequent reconfiguration
  - where manual readings have been required previously.

## Specifications

### Operating Conditions

Parameter	Reference Condition (at zero static)		Rated Condition		Operative Limits		Transportation and Storage	
	°C	°F	°C	°F	°C	°F	°C	°F
<b>Ambient Temperature**</b>	25±1	77±2	-25 to 70	-13 to 158	-40 to 85	-40 to 185	-40 to 85	-40 to 185
<b>Ambient Temperature LCD Display visible range</b>	25±1	77±2	-40 to 85	-40 to 185				
<b>Meter Body Temperature STAW94L***</b>	25±1	77±2	-25 to 70	-13 to 158	-40 to 80	-40 to 176	-40 to 85	-40 to 185
<b>Humidity % RH</b>	10 to 55		0 to 100		0 to 100		0 to 100	
<b>Vacuum Region - Minimum Pressure STAW94L</b>	Operate within specifications above 25 mmHgA (33 mbarA). Short term exposure (2 hours at 70°C/158°F) to full vacuum will not result in damage.							
<b>Maximum Allowable Working Pressure (MAWP)</b> (XYR6000 products are rated to Maximum Allowable Working Pressure)	STA94L = 500 psia, 35 barA							
<b>Vibration</b>	Maximum of 4g over 15 to 200Hz.							
<b>Shock</b>	Maximum of 40g.							
<b>Power</b>	Battery powered 3.6 V Lithium thionyl chloride (LiSOCI <sub>2</sub> ) batteries non rechargeable, size D 24 Vdc Wired Power (option) - For I.S. Application: 21 V to 25 Vdc Operated with MTL7728P+ barrier (252 Ohms Max. end to end resistance), Max input current 26mA. For Non I.S. application: 11 V to 30 Vdc Input range, Max input current 100mA.							

\*\* The Ambient Limits shown are for Ordinary Non-Hazardous locations only. Refer to the appropriate Control Drawing, FM/CSA, ATEX, or IECEx for the Ambient Limits when installed in Hazardous Locations.

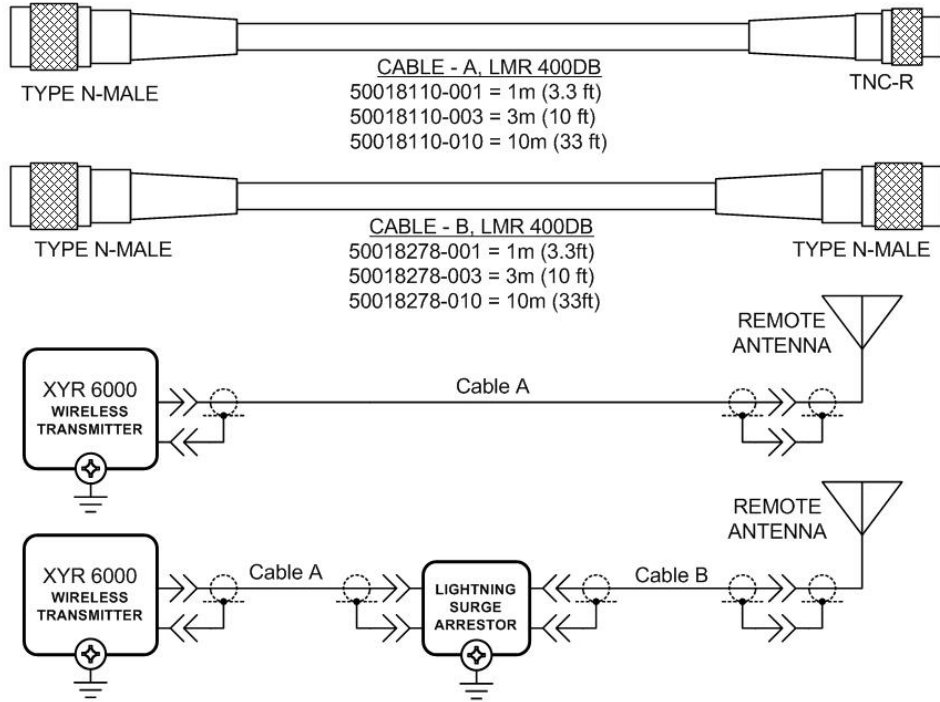
\*\*\*STA94L meter body maximum temperature specification is lower than maximum ambient specification

## Wireless Specifications

Parameter	Description
<b>Wireless Communication</b>	<p>2,400 to 2,483.5 MHz (2.4 GHz) Industrial, Scientific and Medical (ISM) band</p> <p>FHSS Selection – Frequency Hopping Spread Spectrum</p> <p>DSSS Selection – Discrete Sequential Spread Spectrum per FCC 15.247 / IEEE 802.15.4–2006</p> <p>Every data packet transmitted in either direction is verified (CRC check) and acknowledged by the receiving device.</p> <p>USA – FCC Certified</p> <p>Canada – IC Certified</p> <p>European Union – RTTE/ETSI Conformity</p>
<b>FHSS RF Transmitter Power</b>	<p>NA Selection – 125 mW (20.9 dBm) maximum transmit power not including antenna per FCC/IC, or 400 mW (26.0 dBm) maximum EIRP including antenna for USA and Canadian locations.</p> <p>EU Selection – 100 mW (20.0 dBm) maximum EIRP including antenna per RTTE/ETSI for EU locations.</p>
<b>DSSS RF Transmitter Power</b>	<p>NA Selection – 125 mW (20.9 dBm) maximum transmit power not including antenna per FCC/IC, or 400 mW (26.0 dBm) maximum EIRP including antenna for USA and Canadian locations.</p> <p>EU Selection – 10 mW (10.0 dBm) maximum EIRP including antenna per RTTE/ETSI for EU locations.</p>
<b>Data</b>	<p>PV Publish Cycle Time: Configurable as 1, 5, 10, 30 or 60 seconds</p> <p>Rate: 250 Kbps</p>
<b>Antennas</b>	<p>Integral – 2 dBi omnidirectional monopole</p> <p>Integral – 4 dBi omnidirectional monopole</p> <p>Remote – 8 dBi omnidirectional monopole with up to 20 m cable and lightning surge arrester.</p> <p>Remote – 14 dBi directional parabolic with up to 20 m cable and lightning surge arrester.</p>
<b>Signal Range</b>	<p>Nominal 305 m (1,000 feet) between Field Transmitter and Infrastructure Unit (Multinode) or Gateway Unit when using 2 dBi Integral antenna with a clear line of sight.*</p>

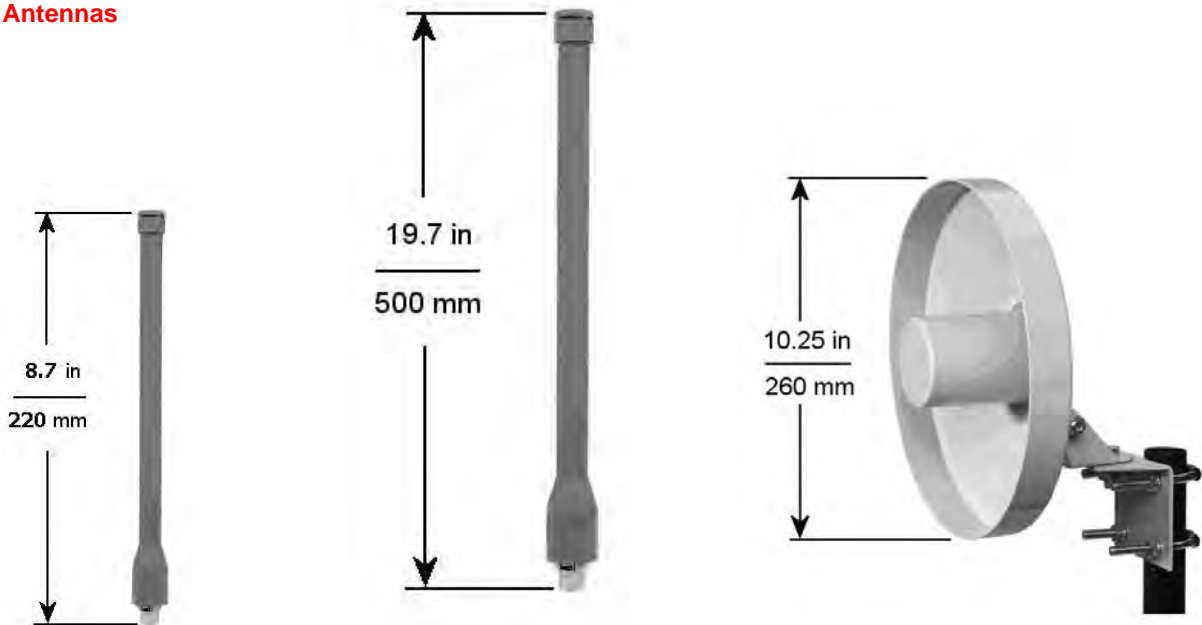
\* Actual range will vary depending on antennas, cables and site topography.

**Remote antenna cables**



CABLE PARAMETERS			LIGHTNING SURGE ARRESTOR PARAMETERS
CABLE A, B LENGTH	CAPACITANCE	INDUCTANCE	
1 m	78.4 pF	0.2 μH	CAPACITANCE = 1 pF INDUCTANCE = 10 nH
3 m	235.2 pF	0.6 μH	
10 m	784 pF	2.0 μH	

**Remote Antennas**



4 dBi Omnidirectional Antenna

8 dBi Omnidirectional Antenna

14 dBi Directional Antenna

**Performance under Rated Conditions\* - Model STAW94L (0 to 500 psia/35 barA)**

Parameter	Description
<b>Upper Range Limit</b> psia barA	500 35
<b>Minimum Span</b> psia barA	20 1.4
<b>Zero Suppression</b>	No limit except minimum span within 0 (zero) to +100% URL.
<b>Accuracy</b> (Reference – Includes combined effects of linearity, hysteresis, and repeatability) • Accuracy includes residual error after averaging successive readings.	±0.0625% of calibrated span or upper range value (URV), whichever is greater, terminal based. For URV below reference point (20 psia), accuracy equals: $\pm \left[ 0.0125 + 0.05 \left( \frac{20 \text{ psia}}{\text{span/ psia}} \right) \right] \text{ or } \pm \left[ 0.0125 + 0.05 \left( \frac{1.4 \text{ barA}}{\text{span/ barA}} \right) \right] \text{ in \% of span}$
<b>Zero Temperature Effect per 28°C (50°F)</b>	±0.15% of span. For URV below reference point (50 psia), effect equals: $\pm 0.15 \left( \frac{50 \text{ psia}}{\text{span/ psia}} \right) \text{ or } \pm 0.15 \left( \frac{3.5 \text{ barA}}{\text{span/ barA}} \right) \text{ in \% of span}$
<b>Combined Zero and Span Temperature Effect per 28°C (50°F)</b>	±0.225% of span. For URV below reference point (50 psia), effect equals: $\pm 0.075 + 0.15 \left( \frac{50 \text{ psia}}{\text{span/ psia}} \right) \text{ or } \pm 0.075 + 0.15 \left( \frac{3.5 \text{ barA}}{\text{span/ barA}} \right) \text{ in \% of span}$

\* Performance specifications are based on reference conditions of 25°C (77°F), 10 to 55% RH, and 316L Stainless Steel barrier diaphragm.

**Performance Under Rated Conditions – General**

Parameter	Description
<b>Lightning Surge Arrester (Remote antenna only)</b>	Frequency range: 0 – 3 GHz, 50 Ohms, VSWR = 1:1.3 Max, Insertion Loss = 0.4 dB Connectors Type N Female, Max, Gas Tube Element: 90 V ± 20%, Impulse Breakdown Voltage = 1,000 V ± 20%, Maximum Withstand Current = 5 KA.
<b>CE Conformity</b>	These transmitters are in conformity with the protection requirements of European Council Directives: 89/336/EEC, the EMC Directive and 1999/5/EC, the Telecommunications Directive per EN 300 328, V1.6.1 (2004-11), EN 300 489-1, V1.6.1 (2005-09), EN 300 489-3, V1.4.1 (2002-08) and EN 61326-1997+A1+A2, Electrical Equipment for Measurement, Control and Laboratory Use – EMC Requirements.
<b>Hazardous Location Certifications</b>	See the Model Selection Guide on page 8.

**Physical Specifications**

Parameter	Description
<b>Barrier Diaphragms Material</b>	316L SS, Hastelloy C-276
<b>Process Head Material</b>	316 SS
<b>Mounting Bracket</b>	Carbon Steel (zinc-plated) or Stainless Steel angle bracket or Carbon Steel flat bracket available.
<b>Fill Fluid</b>	Silicone DC 200 oil or CTFE (Chlorotrifluoroethylene) Note that DC 704 is available – Please contact Product Marketing.
<b>Electronic Housing</b> <b>Stainless Steel Housing (option)</b>	Epoxy-Polyester hybrid paint. Low Copper-Aluminum. Meets NEMA 4X (hosedown and corrosion resistant), IP 66/67 (hosedown and submersible to 1m) 316 SS Electronics Housing - with M20 Conduit Connections 316 SS Housing with 1/2" NPT Conduit Connection 316 SS or Grade CF8M, the casting equivalent of 316 SS with M20 or 1/2" NPT Conduit Connection. If ordered with the Remote Antenna options, the antenna parts are not SS or Marine type cables; the integral antenna uses SS parts.
<b>Process Connections</b>	1/2-inch F-NPT, 1/2 inch M-NPT, 9/16 AMINCO, DIN 19213
<b>Mounting</b>	Can be mounted in virtually any position using the standard mounting bracket. Bracket is designed to mount on 2-inch (50 mm) vertical or horizontal pipe. See <a href="#">Figures 2 and 2a.</a>
<b>Dimensions</b>	See <a href="#">Figures 3 and 3a.</a>
<b>Net Weight</b>	9 pounds (4.1 kg)

**NOTE:** Pressure transmitters that are part of safety equipment for the protection of piping (systems) or vessel(s) from exceeding allowable pressure limits, (equipment with safety functions in accordance with Pressure Equipment Directive 97/23/EC article 1, 2.1.3), require separate examination.

**Mounting**

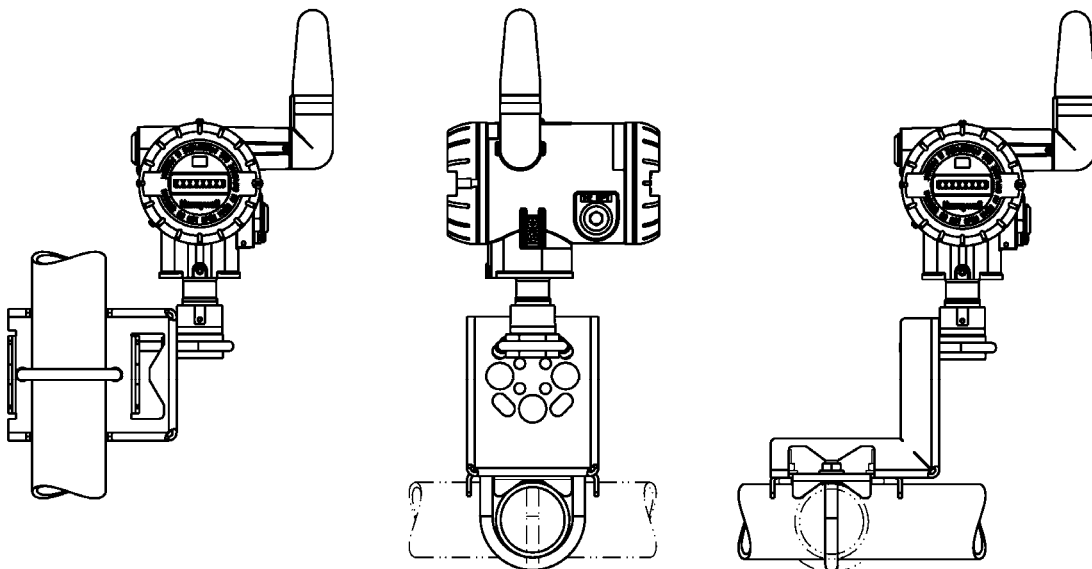


Figure 2a Examples of typical mounting positions for in-line models

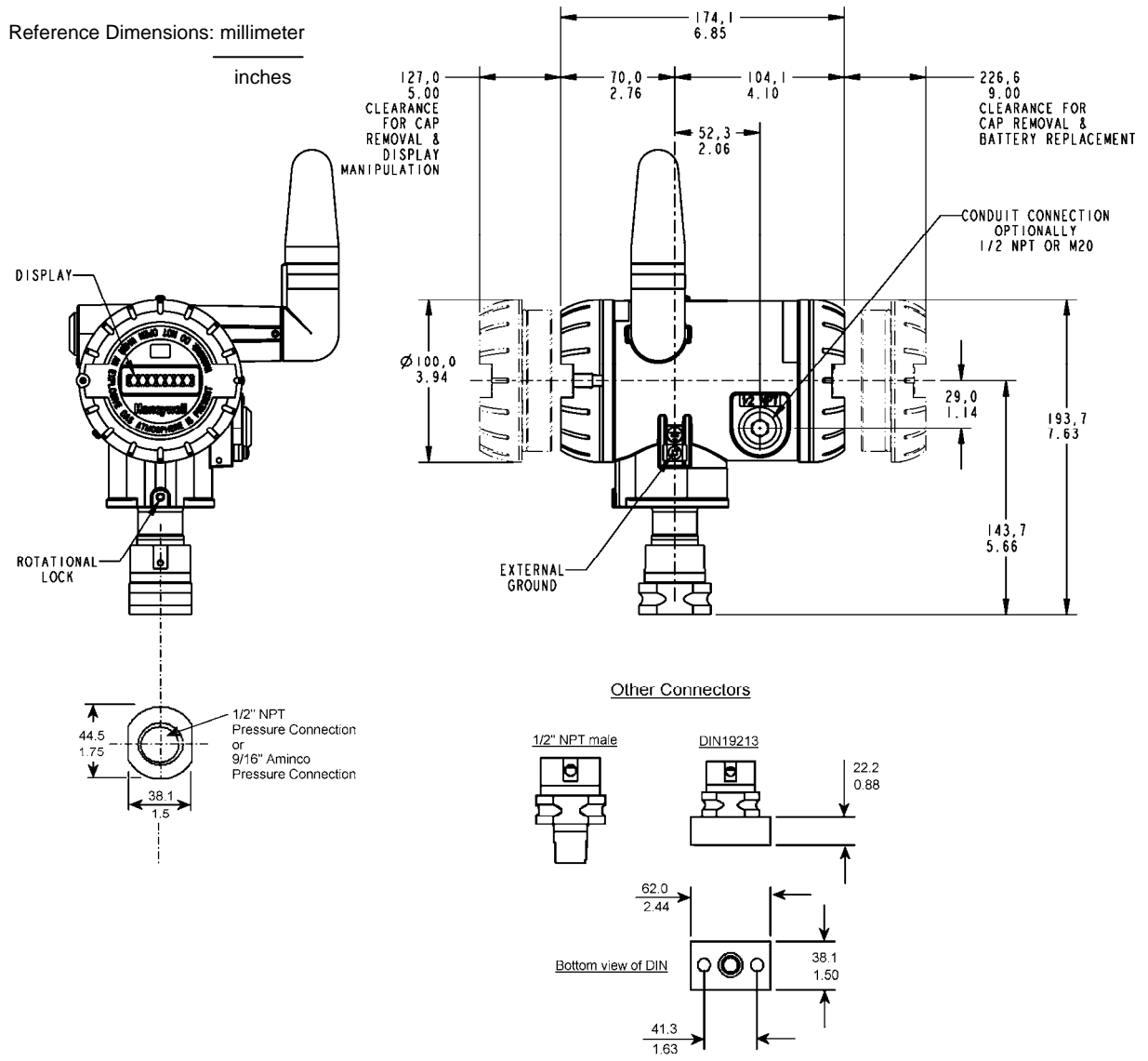


Figure 3a Typical mounting dimensions for in-line models

## Options

### ***Mounting Bracket***

The angle mounting bracket is available in either zinc-plated carbon steel or stainless steel and is suitable for horizontal or vertical mounting on a two inch (50 millimeter) pipe, as well as wall mounting. An optional flat mounting bracket is also available in carbon steel for two inch (50 millimeter) pipe mounting.

### ***Tagging (Option TG)***

Up to 30 characters can be added on the stainless steel nameplate mounted on the transmitter's electronics housing at no extra cost. A stainless steel wired on tag with additional data of up to 4 lines of 28 characters is also available. The number of characters for tagging includes spaces.

### ***Transmitter Configuration***

All configurable parameters are accessible via the OneWireless network via READ/WRITE transactions.



## Ordering information

## Sales and Service

For application assistance, current specifications, pricing, or name of the nearest Authorized Distributor, contact one of the offices below.

### ASIA PACIFIC

(TAC)

[hfs-tac-support@honeywell.com](mailto:hfs-tac-support@honeywell.com)

#### Australia

Honeywell Limited  
Phone: +(61) 7-3846 1255  
FAX: +(61) 7-3840 6481  
Toll Free 1300-36-39-36  
Toll Free Fax:  
1300-36-04-70

#### China – PRC - Shanghai

Honeywell China Inc.  
Phone: (86-21) 5257-4568  
Fax: (86-21) 6237-2826

#### Singapore

Honeywell Pte Ltd.  
Phone: +(65) 6580 3278  
Fax: +(65) 6445-3033

#### South Korea

Honeywell Korea Co Ltd  
Phone: +(822) 799 6114  
Fax: +(822) 792 9015

### EMEA

Honeywell Process Solutions,  
Phone: + 80012026455 or +44  
(0)1202645583  
FAX: +44 (0) 1344 655554

Email: (Sales)  
[sc-cp-apps-salespa62@honeywell.com](mailto:sc-cp-apps-salespa62@honeywell.com)

or  
(TAC)  
[hfs-tac-support@honeywell.com](mailto:hfs-tac-support@honeywell.com)

### NORTH AMERICA

Honeywell Process Solutions,  
Phone: 1-800-423-9883  
Or 1-800-343-0228

Email: (Sales)  
[ask-ssc@honeywell.com](mailto:ask-ssc@honeywell.com)

or  
(TAC)  
[hfs-tac-support@honeywell.com](mailto:hfs-tac-support@honeywell.com)

### SOUTH AMERICA

Honeywell do Brasil & Cia  
Phone: +(55-11) 7266-1900  
FAX: +(55-11) 7266-1905

Email: (Sales)  
[ask-ssc@honeywell.com](mailto:ask-ssc@honeywell.com)

or  
(TAC)  
[hfs-tac-support@honeywell.com](mailto:hfs-tac-support@honeywell.com)

Model Selection Guides are subject to change and are inserted into the specifications as guidance only. Prior to specifying or ordering a model check for the latest revision Model Selection Guides which are published at:

<https://www.honeywellprocess.com/en-US/explore/products/wireless/input-output-devices/xyr-6000/Pages/default.aspx>

**Model Selection Guide (34-XY-16-40)**



34-XY-16-40  
Issue 11  
Page 1 of 4

# XYR 6000 Wireless Transmitter In-Line Gage & Absolute Pressure Series 900

## Model Selection Guide

**Instructions**

- Select the desired Key Number. The arrow to the right marks the selection available.
- Make one selection from each table, I and II, using the column below the proper arrow.
- Select as many Table III options as desired (if no options or approvals are desired, specify 9X).
- A (\*) denotes unrestricted availability. A letter denotes restricted availability.  
Restrictions follow Table V.



Key Number      I      II      III      IV      V

STGW\_\_\_\_ - \_\_\_\_ - 0000 - \_\_\_\_ - \_\_\_\_ - \_\_\_\_

KEY NUMBER	Span	Selection	Availability
Gage Pressure	0-20 to 0-500 psig/0-1.4 to 0-35 bar	STGW94L	↓
	0-300 to 0-3000 psig/0-21 to 0-210 bar	STGW97L	↓
	0-500 to 0-6000 psig/0-35 to 0-415 bar	STGW98L	↓
Abs Pressure	0-20 to 0-500 psia/0-1.4 to 0-35 barA	STAV94L	↓

**TABLE I - METER BODY**

	Wetted Process Heads	Vent/Drain Valves **	Barrier Diaphragms	Selection	
Material of Construction	316 SS	—	316L SS	E__	*
	316 SS	—	Hastelloy C	F__	*
Fill Fluid	Silicone			_1_	*
	CTFE			_2_	*
Process Connection Configuration	9/16" - 18 Aminco			__A	*
	1/2" NPT (female)			__G	*
	1/2" NPT (male)			__H	*
	DIN 19213			__D	*

**TABLE II**

No Selection	00000	*
--------------	-------	---

\*\* Vent/Drains are Teflon coated for lubricity.

**TABLE III - ANTENNA OPTIONS**

Antennas	Integral Right-angle, vertical 2dBi	V_____	d
	Integral Straight, horizontal 2dBi	S_____	d
	Integral Right-angle, vertical 4dBi	R_____	d
	Remote Omnidirectional, 8 dBi	M_____	e
	Remote Directional, 14 dBi	D_____	e
Cable A for Remote Antenna	None	_00__	*
	1.0m remote Cable A, Type TNC (Req'd to connect to XYR 6000)	_01__	i
	3.0m remote Cable A, Type TNC (Req'd to connect to XYR 6000)	_03__	i
	10.0m remote Cable A, Type TNC (Req'd to connect to XYR 6000)	_10__	i
	1.0m remote Cable A, Type N (Req'd to connect to XYR 6000)	_21__	i
	3.0m remote Cable A, Type N (Req'd to connect to XYR 6000)	_23__	i
	10.0m remote Cable A, Type N (Req'd to connect to XYR 6000)	_29__	i
Cable B for Remote Antenna w/Accessories*	None	___00	*
	Accessory + 1.0m Cable B to Antenna, N - N	___01	*
	Accessory + 3.0m Cable B to Antenna, N - N	___03	*
	Accessory + 10.0m Cable B to Antenna, N - N	___10	*

TABLE IV - OPTIONS		Availability Selection ↓		
<b>Radio Options (Must choose a Radio Option)</b>				
2.4 GHz Frequency Hopping Spread Spectrum (FHSS)	XF	•	b	
2.4 GHz Direct Sequence Spread Spectrum (802.15.4 DSSS)	XD	•		
<b>Power Option (Must choose Power Option)</b>				
Battery Holder Only - No Battery Included	00	•	b	
Battery Power	BA	•		
24VDC	DC	k		
<b>Transmitter Housing &amp; Electronics Options</b>				
Custom Calibration and I.D. in Memory	CC	•	b	
Transmitter Configuration and ID in Memory	TC	•		
M20 Conduit Thread (1/2" NPT is standard)	A1	f		
1/2" NPT to 3/4" NPT 316 SS Conduit Adapter	A2	g		
316 SS <sup>1,2</sup> Electronics Housing - with M20 Conduit Connections	SH	•		
316 SS <sup>1,2</sup> Housing with 1/2" NPT Conduit Connection	A3	•		
Stainless Steel Customer Wired-On Tag (4 lines, 28 characters per line, customer supplied information)	TG	•		
Stainless Steel Customer Wired-On Tag (blank)	TB	•		
End Cap Warning Label in Spanish	SP	•		
End Cap Warning Label in Portuguese	PG	•		
End Cap Warning Label in Italian	TL	•		
End Cap Warning Label in German	GE	•		
<b>Transmitter Mounting Brackets Options</b>				
Mounting Bracket - Carbon Steel	MB	•		b
Mounting Bracket - 304 SS	SB	•		
Flat Mounting Bracket - Carbon Steel	FB	•		
<b>Services/Calibration/Conformance Options</b>				
User's Manual Paper Copy	UM	•	b	
Clean Transmitter for Oxygen or Chlorine Service with Certificate	OX	h		
Over-Pressure Leak Test with F3392 Certificate	TP	•		
Calibration Test Report and Certificate of Conformance (F3399)	F1	•		
Certificate of Conformance (F3391)	F3	•		
<b>Certificate Options</b>				
Certificate of Origin (F0195)	F5	•	b	
NACE Certificate (F0198)	F7	•		
<b>Warranty Options</b>				
Additional Warranty - 1 year	W1	•	b	
Additional Warranty - 2 years	W2	•		

<sup>1</sup> Supplied as 316 SS or as Grade CF8M, the casting equivalent of 316 SS.

<sup>2</sup> If ordered with Remote Antenna option, Table III Selection M \_\_\_\_\_ or D \_\_\_\_\_, antenna parts are not SS or Marine type cables

Approval Body	Approval Type	Location or Classification		
No hazardous location approvals			9X	•
FM	Intrinsically Safe	Class I, II, III, Div. 1, Groups A,B,C,D,E,F,G; T4, Ta ≤ 85°C; Type 4X	1C	•
	Explosion-proof	Class I, AEx ia IIC; T4, Ta ≤ 85°C, Zone 0; IP66		
		Class I, Div. 1, Groups A,B,C,D; Cl II, Div. 1, Groups E, F & G; Cl III, Div. 1, T4, Ta ≤ 85°C; Type 4X		
		Class I, AEx d IIC; T4, Ta ≤ 85°C, Zone 1; IP66		
Nonincendive	Class I, Div. 2, Groups A,B,C,D; T4; Ta ≤ 85°C; Type 4X			
Non-Sparking	Class I, AEx nA IIC; T4, Ta ≤ 85°C, Zone 2; IP66			

Table IV continued on next page

Approval Body	Approval Type	Location or Classification	Availability	
			Selection	↓
CSA cus	Nonincendive	Nonincendive, CL I, Div 2, Groups A,B,C & D, CL II & III, Div 2, Groups F & G, T4 Ta = 85°C	2N	•
	Non-Sparking	Class I, Ex/AEx nA IIC; T4, Ta ≤ 85°C, Zone 2; IP66		
	Intrinsically Safe	Class I, Div. 1, Gp A,B,C,D; Class II, Div 1, Gp E,F,G; Class III, Div 1; T4, Ta ≤ 85°C; Type 4X Class I, Ex/AEx ia IIC; T4, Ta ≤ 85°C, Zone 0; IP66	2C	•
	Explosion-proof	Class I, Div. 1, Groups A,B,C,D; Class II, Div. 1, Groups E, F & G; Class III, Div. 1, T4, Ta ≤ 85°C; Type 4X Class I, Ex/AEx d IIC; T4, Ta ≤ 85°C, Zone 1; IP66		
Nonincendive	Class I, Div. 2, Groups A,B,C,D; T4, Ta ≤ 85°C; Type 4X	3U	•	
Non-Sparking	Class I, Ex/AEx nA IIC; T4, Ta ≤ 85°C, Zone 2; IP66			
ATEX	Intrinsically Safe	⊕ II 1 GD; Ex ia IIB; T4, Ta ≤ 70°C, Zone 0; IP66 Ex tD A20 IP66 T90°C	3U	•
	Flameproof	⊕ II 2 GD; Ex d [ia] IIB; T4, Ta ≤ 70°C, Zone 1; IP66 Ex tD A21 IP66 T90°C	3B	•
	Non-Sparking	⊕ II 3 GD; Ex nA [nL] IIC; T4, Ta ≤ 84°C, Zone 2 Ex tD A22 IP66 T90°C	3Y	•
	Intrinsically Safe	⊕ II 1 GD; Ex ia IIB; T4, Ta ≤ 70°C, Zone 0; IP66 Ex tD A20 IP66 T90°C	3C*	•
	Flameproof	⊕ II 2 GD; Ex d [ia] IIB; T4, Ta ≤ 70°C, Zone 1; IP66 Ex tD A21 IP66 T90°C		
	Non-Sparking	⊕ II 3 GD; Ex nA [nL] IIC; T4, Ta ≤ 84°C, Zone 2 Ex tD A22 IP66 T90°C		
IECEX Australia & New Zealand	Intrinsically Safe	Ex ia IIB; T4, Ta ≤ 70°C, Zone 0; IP66 Ex tD A20 IP66 T90°C	CU	•
	Flameproof	Ex d [ia] IIB; T4, Ta ≤ 70°C, Zone 1; IP66 Ex tD A21 IP66 T90°C	CB	•
	Non-Sparking	Ex nA IIC; T4, Ta ≤ 84°C, Zone 2; IP66 Ex tD A22 IP66 T90°C	CY	•
	Intrinsically Safe	Ex ia IIB; T4, Ta ≤ 70°C, Zone 0; IP66 Ex tD A20 IP66 T90°C	C1*	•
	Flameproof	Ex d [ia] IIB; T4, Ta ≤ 70°C, Zone 1; IP66 Ex tD A21 IP66 T90°C		
	Non-Sparking	Ex nA [nL] IIC; T4, Ta ≤ 84°C, Zone 2; IP66 Ex tD A22 IP66 T90°C		
SAEx South Africa	Intrinsically Safe	Ex ia IIB; T4, Ta ≤ 70°C, Zone 0; IP66 Ex tD A20 IP66 T90°C	ZU	•
	Flameproof	Ex d [ia] IIB; T4, Ta ≤ 70°C, Zone 1; IP66 Ex tD A21 IP66 T90°C	ZB	•
	Non-Sparking	Ex nA [nL] IIC; T4, Ta ≤ 84°C, Zone 2; IP66 Ex tD A22 IP66 T90°C	ZY	•
	Intrinsically Safe	Ex ia IIB; T4, Ta ≤ 70°C, Zone 0; IP66 Ex tD A20 IP66 T90°C	ZC*	•
	Flameproof	Ex d [ia] IIB; T4, Ta ≤ 70°C, Zone 1; IP66 Ex tD A21 IP66 T90°C		
	Non-Sparking	Ex nA [nL] IIC; T4, Ta ≤ 84°C, Zone 2; IP66 Ex tD A22 IP66 T90°C		
INMETRO Brazil	Intrinsically Safe	Ex ia IIC; T4, Ta ≤ 85°C, Zone 0; IP 66	6C*	
	Flameproof	Ex d IIC; T4, Ta ≤ 85°C, Zone 1; IP 66		
	Non-Sparking	Ex nA IIC; T4, Ta ≤ 85°C, Zone 2; IP 66		

\* The user must determine the type of protection required for installation of the equipment. The user shall then check the box [N] adjacent to the type of protection used on the equipment certification nameplate. Once a type of protection has been checked on the nameplate, subsequently the equipment shall not be reinstalled using any of the other certification types.

**WARNING** – Division 2 / Zone 2 apparatus may only be connected to processes classified as non-hazardous or Division 2 / Zone 2. Connection to hazardous (flammable or ignition capable) Division 1 / Zone 0, or 1 process is not permitted.

Country	(Must Choose a Country Code)	Country Code	Availability
North America, Canada		NA00	•
European Union		EU00	•
Japan		JPO0	•

**RESTRICTIONS**

Restriction	Available Only With		Not Available With	
	Table	Selection	Table	Selection
<b>a</b>			Approvals Pending	
<b>b</b>		Select only one option from this group		
<b>d</b>	III	_00 _ _ _ _00		
<b>e</b>			III	_00 _ _
<b>f</b>			IV	SH, A3
<b>g</b>			IV	BA, SH, A1
<b>h</b>	I	_2_		
<b>j</b>	<b>IV</b>	SH, A3		
<b>k</b>			IV	3U, 3B, 3Y, 3C*, ZU, ZB, ZY, ZC*

**Notes:** See ST-95 and User's Manual for part numbers.

To request a quotation for a non-published "special", fax RFQ to 602-313-6155 or email to ace@honeywell.com

## Supplemental Accessories & Kits

Description	Part Number
1/2 NPT Socket Plug (ZN Plated CS)	50021832-001
1/2 NPT Certified Conduit Plug (SS)	50021832-002
M20 Certified Conduit Plug (SS)	50000547-001
M20 Conduit Plug (ZN Plated CS)	50000547-002
Surge Diverter*	50018279-090
Lithium Thionyl Chloride Batteries (Qty 2)	50026010-501
Lithium Thionyl Chloride Batteries (Qty 4)	50026010-502
Lithium Thionyl Chloride Batteries (Qty 10)	50026010-503

\* **Surge Diverter Accessory supplied with Table III, Selections XXX01, XXX03, XXX10**

\*\* Consult Honeywell Order Entry Systems for current parts pricing.

*Specifications are subject to change without notice.*

OneWireless and XYR are trademarks and Experion is a registered trademark of Honeywell International Inc.

**For More Information**

Learn more about how Honeywell's Wireless Transmitter Absolute Pressure Model can provide simple, safe, and secure wireless technology, visit our website [www.honeywellprocess.com/wireless/input-output-devices/xyr-6000/](http://www.honeywellprocess.com/wireless/input-output-devices/xyr-6000/) or contact your Honeywell account manager.

**Honeywell Process Solutions**

1860 West Rose Garden Lane  
Phoenix, Arizona 85027  
Tel: 1-800-423-9883 or 1-800-343-0228  
[www.honeywellprocess.com/](http://www.honeywellprocess.com/)

34-XY-03-23  
March 2012  
© 2010 Honeywell International Inc.

The Honeywell logo is displayed in a bold, red, sans-serif font.