

Installation & Maintenance Instructions

2-WAY DIRECT-ACTING SOLENOID VALVES

NORMALLY OPEN OR NORMALLY CLOSED OPERATION

BRASS OR STAINLESS STEEL CONSTRUCTION – 1/8", 1/4", OR 3/8" NPT

SERIES

8262

8263

Form No.V5256R9

IMPORTANT: See separate solenoid installation and maintenance instructions for information on: Wiring, Solenoid Temperature, Causes of Improper Operation, and Coil or Solenoid Replacement.

DESCRIPTION

Series 8262 and 8263 valves are 2-way direct-acting general service solenoid valves. Valves bodies are of rugged brass or stainless steel. Series 8262 or 8263 valves may be provided with a general purpose or explosionproof solenoid enclosure. Series 8262 and 8263 valves with suffix "P" in the catalog number are designed for dry inert gas and non-lubricated air service.

OPERATION

Normally Open: Valve is open when solenoid is de-energized; closed when is energized.

Normally Closed: Valve is closed when solenoid is de-energized; open when energized.

IMPORTANT: No minimum operating pressure required.

Manual Operation

Manual operator allows manual operation when desired or during an electrical power outage. Depending upon basic valve construction, three types of manual operators are available:

Push Type Manual Operator

To engage push type manual operator, push stem at base of valve body upward as far as possible. Valve will now be in the same position as when the solenoid is energized. To disengage manual operator, release stem. Manual operator will return to original position.

Screw Type Manual Operator

To engage screw type manual operator, rotate stem at base of the valve body clockwise until it hits a stop. Valve will now be in the same position as when the solenoid is energized. To disengage, rotate stem counterclockwise until it hits a stop.

CAUTION: For valve to operate electrically, manual operator stem must be fully rotated counterclockwise.

Stem/Lever Type Manual Operator

To engage manual operator, turn stem/lever clockwise until it hits a stop. Valve will now be in the same position as when the solenoid is energized. To disengage manual operator, turn stem/lever counterclockwise until it hits a stop.

CAUTION: For valve to operate electrically, manual operator stem/lever must be fully rotated counterclockwise.

Flow Metering Devices

Valves with suffix "M" in catalog number are provided with a metering device for flow control. Turn stem to right to reduce flow; left to increase flow.

INSTALLATION

Check nameplate for correct catalog number, pressure, voltage, frequency, and service. Never apply incompatible fluids or exceed pressure rating of the valve. Installation and valve maintenance to be performed by qualified personnel.

Note: Inlet port will either be marked "I" or "IN". Outlet port will be marked "2" or "OUT".

Future Service Considerations.

Provision should be made for performing seat leakage, external leakage, and operational tests on the valve with a nonhazardous, noncombustible fluid after disassembly and reassembly.

Temperature Limitations

For maximum valve ambient and fluid temperatures, refer to charts below. Check catalog number, coil prefix, suffix, and watt rating on nameplate to determine the maximum temperatures.

Wattage	Catalog Number Coil Prefix	Coil Class	Max. Ambient Temp. °F	Max. Fluid Temp. °F
6, 10.5, 12.4	none, DA or S	A	77	180
6, 10.5 12.4	DF, FT or SF	F	125	180
6, 10.5, 12.4	HT	H	140	180
9, 10.7	none, DP or SP	F	77	180
9.7	none, FT or HT	A, F or H	77	120
11.2	none, FT or HT	A, F or H	77	150
16.7	none, DP or SP	F	77	200
17.1	none, KP SP or SD	F	125	180
17.1	HB, KB SS or SV	H	140	180

Catalog Nos.8262B200 and 8262 C200 AC construction only and Catalog Nos.8262B214 and 8262 D200 AC and DC construction are limited to 140°F fluid temperature.

Valves with Suffix V or W that are designed for AC service and normally closed operation are for use with No. 2 and 4 fuel oil service. These valves have the same maximum temperatures per the above table except Suffix W valves are limited to a maximum fluid temperature of 140°F.

Listed below are valves with Suffix V in the catalog number that are acceptable for higher temperatures.

Catalog Number Coil Prefix	Max. Ambient Temp. °F	Max. Fluid Temp. °F
FT8262, HB8262 FT8263, HB8263 8262G, 8263G	125	250*
HT or HB 8262G HT or HB 8263G	140	250

*The only exception is the 8262G and 8263G series (Class F coil) at 50 Hertz rated 11.1 and 17.1 watts are limited to 210°F fluid temperature.

Positioning

This valve is designed to perform properly when mounted in any position. However, for optimum life and performance, the solenoid should be mounted vertically and upright to reduce the possibility of foreign matter accumulating in the solenoid base sub-assembly area.

Valves with suffix “P” in the catalog number must be mounted with the solenoid vertical and upright.

Mounting

Refer to Figure 2 for mounting dimensions.

Piping

Connect piping or tubing to valve according to markings on valve body. Inlet port will either be marked “I” or “IN”. Outlet port will be marked “2” or “OUT”. Wipe the pipe threads clean of cutting oils. Apply pipe compound sparingly to male pipe threads only. If applied to valve threads, the compound may enter the valve and cause operational difficulty. Avoid pipe strain by properly supporting and aligning piping. When tightening the pipe, do not use valve or solenoid as a lever. Locate wrenches applied to valve body or piping as close as possible to connection point.

IMPORTANT: To protect the solenoid valve, install a strainer or filter suitable for the service involved, in the inlet side as close to the valve as possible. Clean periodically depending on service conditions. See ASCO Series 8600, 8601 and 8602 for strainers.

MAINTENANCE

▲ WARNING: To prevent the possibility of death, serious injury or property damage, turn off electrical power, depressurize valve, and vent fluid to a safe area before servicing the valve.

NOTE: It is not necessary to remove the valve from the pipeline for repairs.

Cleaning

All solenoid valves should be cleaned periodically. The time between cleanings will vary depending on the medium and service conditions. In general, if the voltage to the coil is correct, sluggish valve operation, excessive noise or leakage will indicate that cleaning is required. In the extreme case, faulty valve operation will occur and the valve may fail to open or close. Clean strainer or filter when cleaning the valve.

Preventive Maintenance

- Keep the medium flowing through the valve as free from dirt and foreign material as possible.
- While in service, the valve should be operated at least once a month to insure proper opening and closing.
- Depending on the medium and service conditions, periodic inspection of internal valve parts for damage or excessive wear is recommended. Thoroughly clean all parts. If parts are worn or damaged, install a complete ASCO Rebuild Kit.

Causes of Improper Operation

- **Incorrect Pressure:** Check valve pressure. Pressure to valve must be within range specified on nameplate.
- **Excessive Leakage:** Disassemble valve (see Maintenance) and clean all parts. If parts are worn or damaged, install a complete ASCO Rebuild Kit.

Valve Disassembly

1. Disassemble valve using exploded views for identification of parts.
2. Remove solenoid, see separate instructions.
3. Unscrew solenoid base sub-assembly or valve bonnet with special wrench adapter supplied in ASCO Rebuild Kit. For wrench adapter only, order No. K218948. Remove core assembly, core spring, and solenoid base gasket from valve body. For normal maintenance on Series 8263 valves it is not necessary to remove valve seat. See Figure 1 for metering or manual operator constructions.
4. For normally open construction (Figure 3) remove end cap, or manual operator, (not shown) end cap gasket, disc holder spring, and disc holder assembly.
5. All parts are now accessible to clean or replace. If parts are worn or damaged, install a complete ASCO Rebuild Kit.

Valve Reassembly

1. Use exploded views for identification, orientation and placement of parts.
2. Lubricate all gaskets with DOW CORNING® 111 Compound lubricant or an equivalent high-grade silicone grease.
3. For normally open construction (Figure 3), install disc holder assembly, disc holder spring, end cap gasket and end cap or manual operator. For valves with 1/8" NPT, torque end cap or manual operator to 90 ± 10 in-lbs [$10,2 \pm 1,1$ Nm]. For all other valves torque end cap or manual operator to 175 ± 25 in-lbs [$19,8 \pm 2,8$ Nm].
4. For Series 8263 apply a small amount of LOCTITE® PST® pipe sealant to threads of valve seat (if removed). Follow manufacturers instructions for application of pipe sealant. Then install valve seat and torque to 75 ± 10 in-lbs [$8,5 \pm 1,1$ Nm].
5. Replace solenoid base gasket, core assembly with core spring and solenoid base sub-assembly or plugnut/core tube sub-assembly and valve bonnet. Note: For core assemblies with internal type core springs, install wide end of core spring in core assembly first, closed end of core spring protrudes from top of core assembly.
6. For 1/8" NPT valve constructions, Torque valve bonnet to 90 ± 10 in-lbs [$10,2 \pm 1,1$ Nm]. Torque solenoid base sub-assembly to 175 ± 25 in-lbs [$19,8 \pm 2,8$ Nm].
7. Install solenoid, see separate solenoid instructions. Then make electrical hookup to solenoid.

▲ WARNING: To prevent the possibility of death, serious injury or property damage, check valve for proper operation before returning to service. Also perform internal seat and external leakage tests with a nonhazardous, noncombustible fluid.

8. Restore line pressure and electrical power supply to valve.
9. After maintenance is completed, operate the valve a few times to be sure of proper operation. A metallic *click* signifies the solenoid is operating.

ORDERING INFORMATION FOR ASCO REBUILD KITS

Parts marked with an asterisk (*) in the exploded view are supplied in Rebuild Kits. When Ordering Rebuild Kits for ASCO valves, order the Rebuild Kit number stamped on the valve nameplate. If the number of the kit is not visible, order by indicating the number of kits required, and the Catalog Number and Serial Number of the valve(s) for which they are intended.

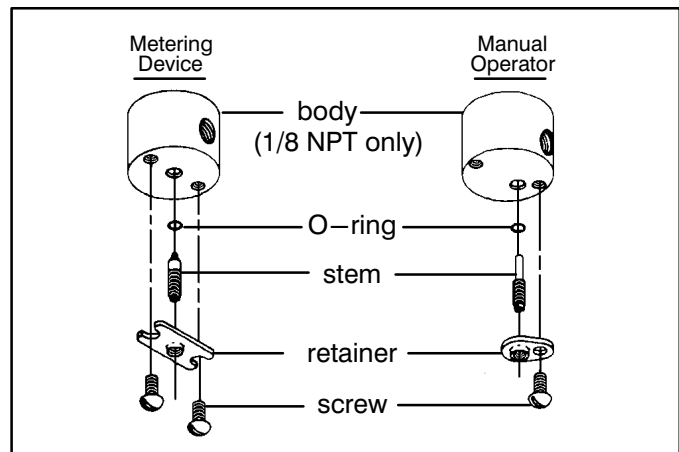
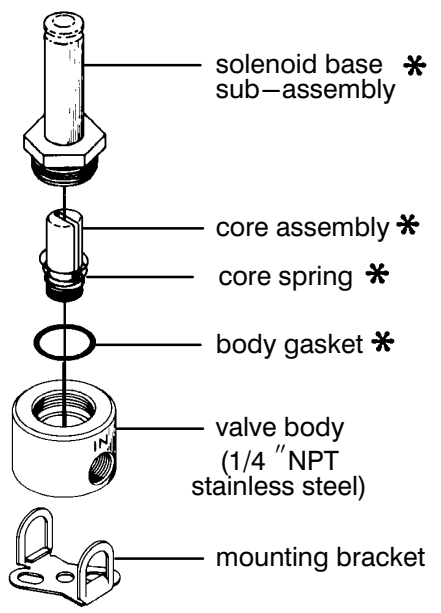
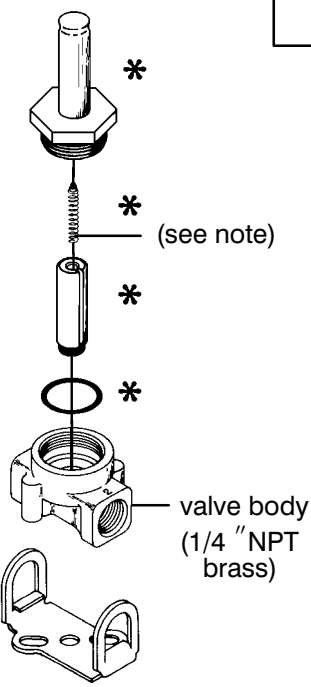
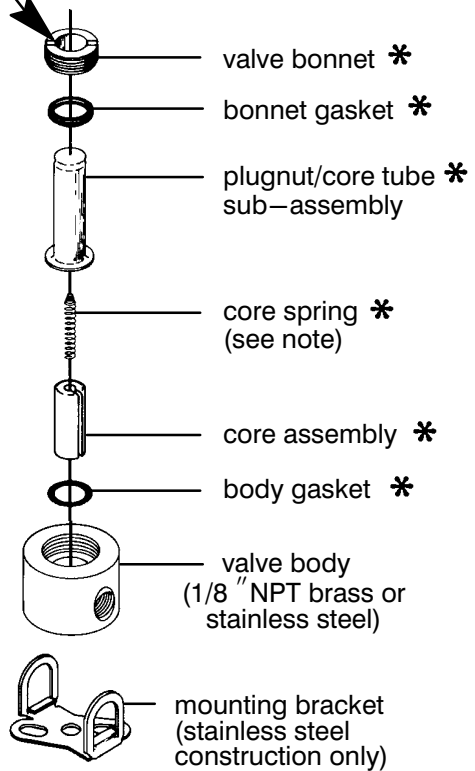


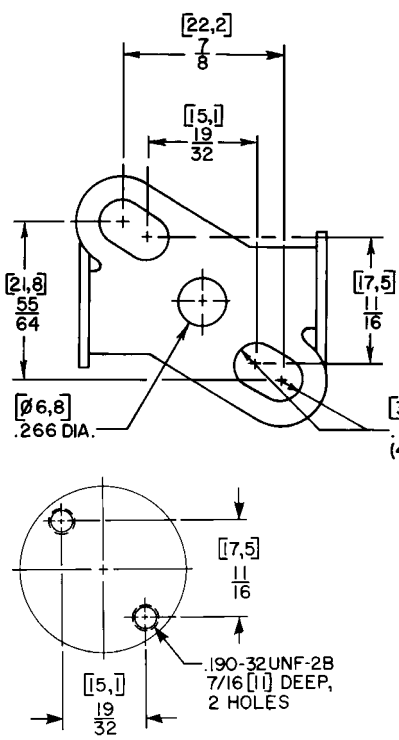
Figure 1. Metering and manual operator constructions.

* Bonnet wrench supplied in ASCO Rebuild Kits.
For bonnet wrench only order No. K218948.

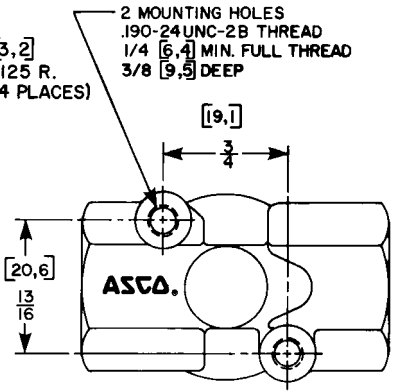
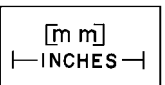
Torque Chart		
Part Name	Torque value Inch—Pounds	Torque value Newton—Meters
solenoid base sub—assembly	175±25	19,8±2,8
valve bonnet	90±10	10,2±1,1
valve seat	75±10	8,5±1,1



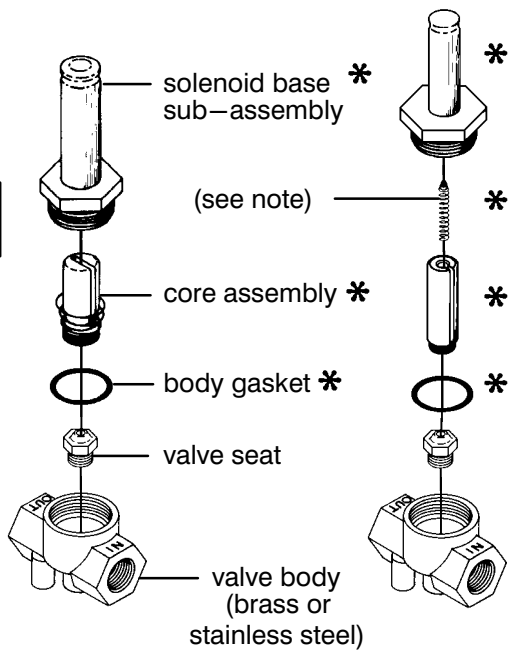
Series 8262



* Indicates Parts Supplied in ASCO Rebuild Kits.



(1/8" NPT brass)



Series 8263

Note:
Wide end of core spring in core first,
closed end protrudes from top of core.

Figure 2. Series 8262 and 8263, normally closed construction.

Disassembly and Reassembly of Stem /Lever Type Manual Operator (Refer to Figure 3)

NOTE: There are two stem/lever manual operator constructions. They are identified by the location of the core spring as *internal* or *external* spring construction.

1. Unscrew solenoid base sub-assembly from manual operator body.
2. Unscrew manual operator body from valve body. Then remove body gasket and stem retainer.
3. Slip stem/spacer sub-assembly with stem gasket from manual operator body. Remove core assembly with core spring from center of manual operator body.
4. All parts are now accessible for cleaning or replacement. Lubricate gaskets per *Valve Reassembly* step 2.

5. Position core assembly with core spring into base of manual operator body. Then install stem/spacer sub-assembly into manual operator body to engage with core assembly.
6. Reinstall stem retainer on body and stem/spacer sub-assembly.

IMPORTANT: The spacer on the stem/spacer sub-assembly must be inside of the stem retainer for internal spring construction and outside the stem retainer for external spring construction.

7. Replace body gasket and install manual operator assembly in valve body. Torque manual operator body to 175 ± 25 in-lbs [$19,8 \pm 2,8$ Nm].
8. Replace solenoid base gasket and solenoid base sub-assembly. Torque solenoid base sub-assembly to 175 ± 25 in-lbs [$19,8 \pm 2,8$ Nm].
9. Check manual operator for proper operation. Turn stem clockwise and counterclockwise; stem should turn freely without binding.

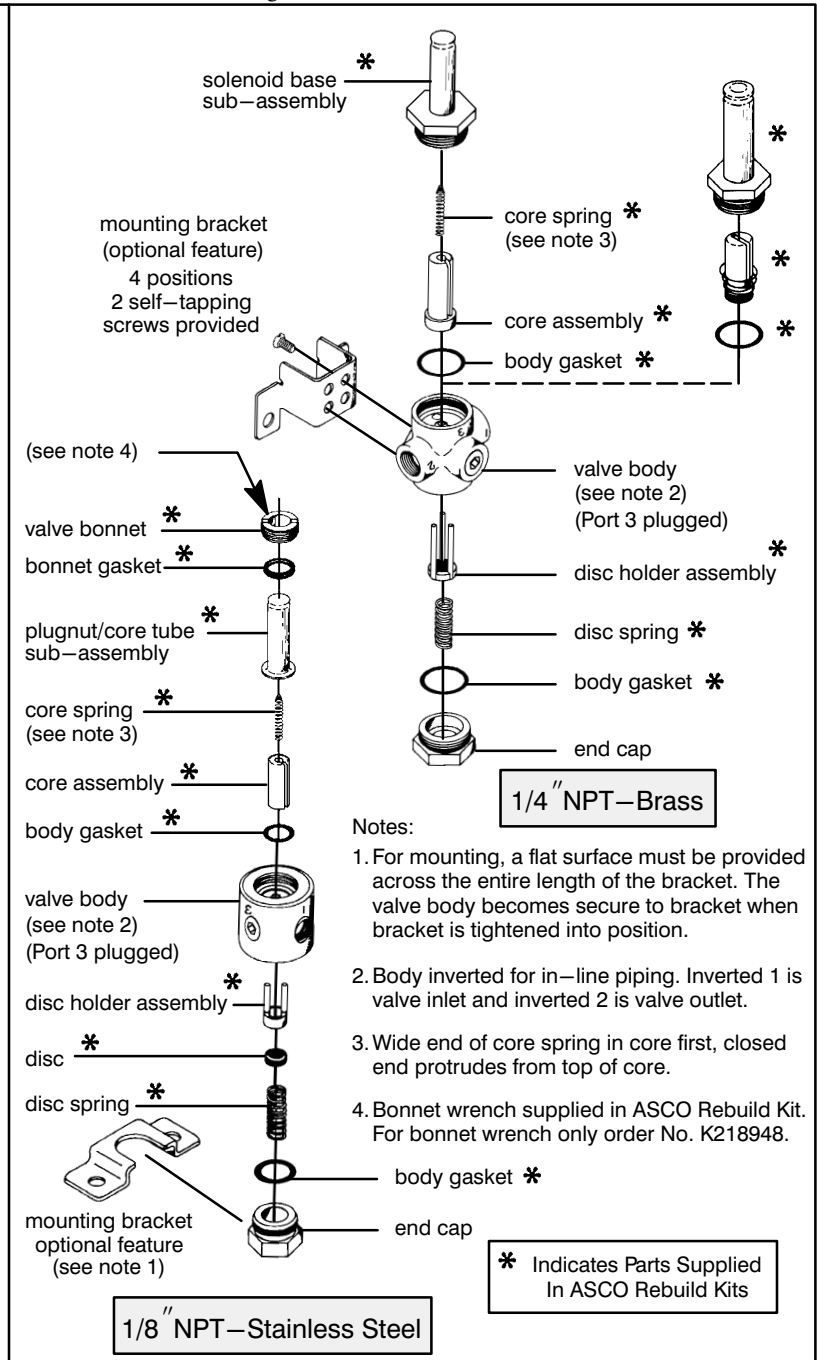
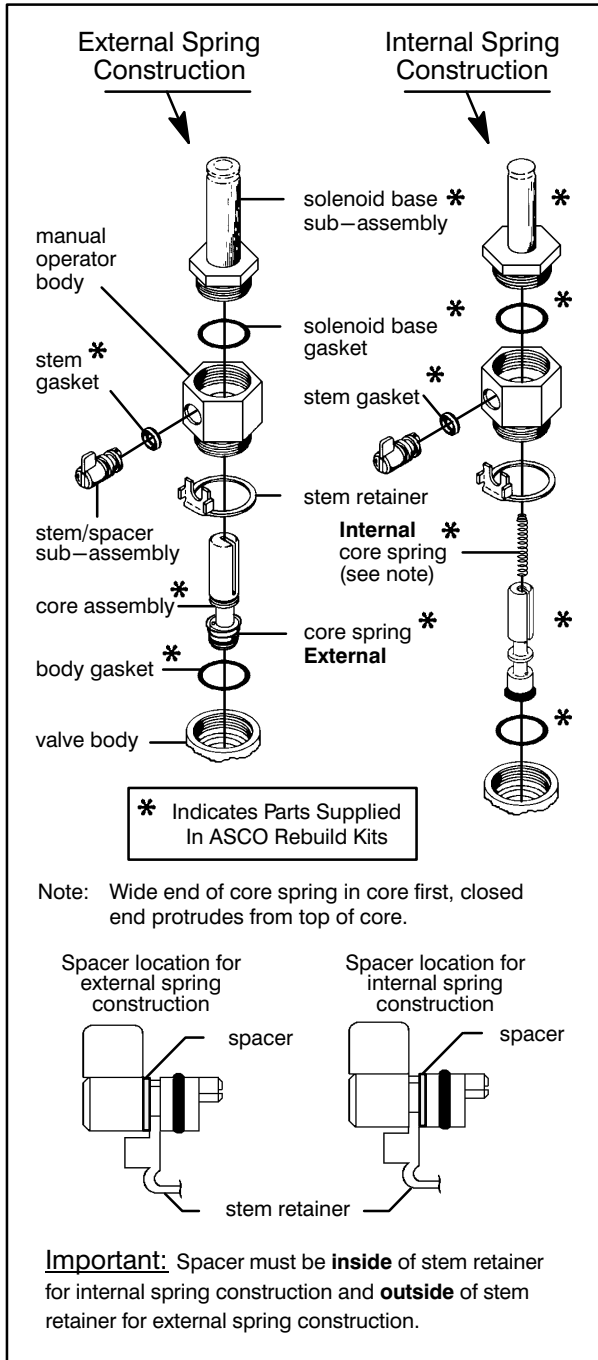


Figure 3. Stem/lever type manual operators

Figure 4. Series 8262, normally open construction.