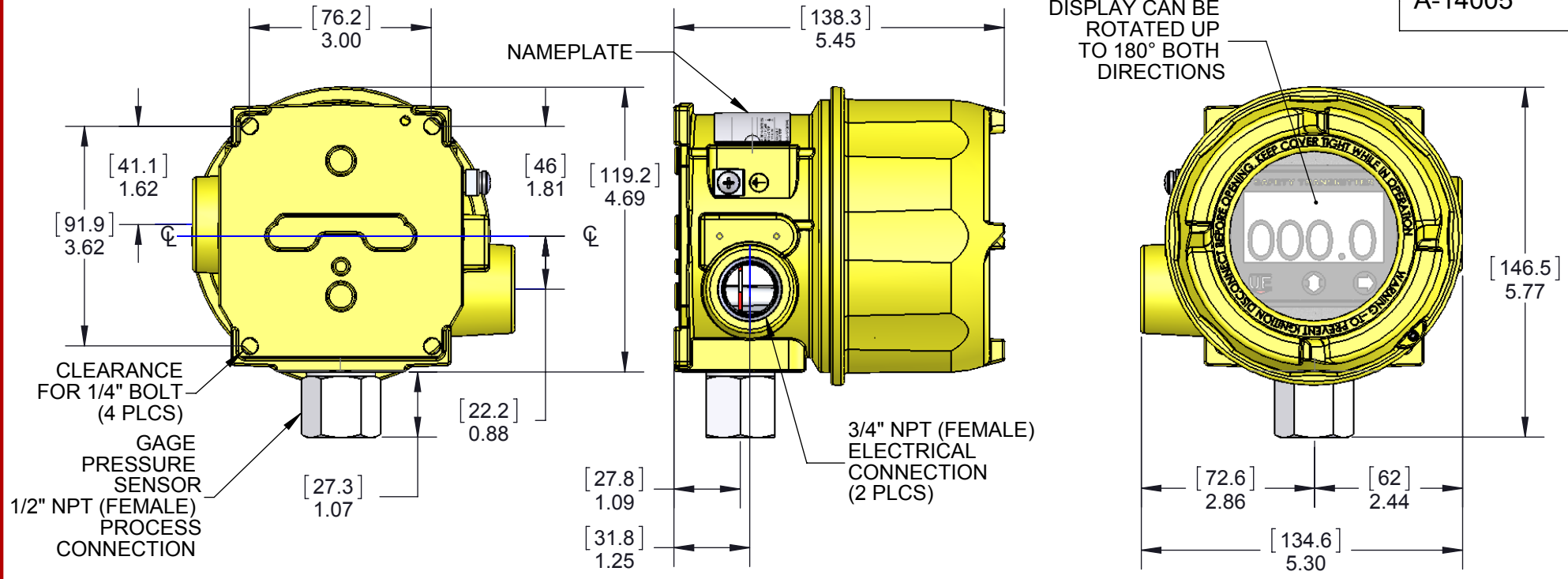


A-14005



**SPECIFICATIONS:**

(SPECIFICATIONS AT 25°C (77°F) AND NOMINAL VOLTAGE UNLESS OTHERWISE NOTED).

**MECHANICAL:**

WETTED MATERIALS: 316 STAINLESS STEEL  
ENCLOSURE: TYPE 360 ALUMINUM; EPOXY POWDER COATED

**ELECTRICAL:**

**ELECTRICAL CONNECTIONS:**

POWER SUPPLY: 3 POSITION TERMINAL BLOCK, 22-14 AWG WIRE  
POWER INPUT: 4-20mA LOOP POWERED (20-40 Vdc)  
(REFERENCE I&M FOR ALLOWABLE POWER SUPPLY AND LOAD LIMITS)

SAFETY RELAY OUTPUT:  
IAW: 2 POSITION TERMINAL BLOCK, 16-26 AWG WIRE, 30Vdc @ 20mA (MAX)  
SWITCH STATUS: 2 POSITION TERMINAL BLOCK, 16-26 AWG WIRE, 30Vdc @ 20mA (MAX)

SWITCH SPECS:  
4 POSITION TERMINAL BLOCK, 14-20 AWG WIRE  
250VAC @ 5A

**APPROVALS:**

cULus Listed  
CLASS I, DIVISION 1, GROUPS A, B, C & D;  
CLASS II, DIVISION 1, GROUPS E, F & G; CLASS III  
CLASS I, ZONE 1, AEx d IIC T3/T5\*; CLASS 1, ZONE 1, Ex d IIC T3/T5\*  
Tamb = -40°C TO +70°C (-40°F TO 158°F)  
ENCLOSURE TYPE 4X; IP66

ATEX Approved  
II 2 G Ex d IIC T3/T5\*  
II 2 D Ex ID A21 IP66 T+90C  
DEMKO 09 ATEX 0813748X  
Tamb = -40°C TO +70°C (-40°F TO 158°F)

IECEx Approved  
IECEx UL 08.0017  
Ex d IIC T3/T5\*  
Ex ID A21 IP66 T+90C  
Tamb = -40°C TO +70°C (-40°F TO 158°F)

\* MODELS P10-P16 HAVE A TEMPERATURE CLASS OF T3.  
ALL OTHER MODELS HAVE A T5 TEMPERATURE CLASS.

MODEL PXX	OPERATING RANGE				MAX. OVER PRESSURE	
	LOW		HIGH		psi	bar
	psi	bar	psi	bar		
P06	-14.7	-1	30	2.1	60	4.1
P08	-14.7	-1	100	6.9	200	13.8
P10	0	0	5	0.3	10	0.7
P11	0	0	15	1.0	30	2.1
P12	0	0	30	2.1	60	4.1
P13	0	0	50	3.4	100	6.9
P14	0	0	100	6.9	200	13.8
P15	0	0	300	20.7	600	41.4
P16	0	0	500	34.5	1000	68.9
P17	0	0	1000	68.9	2000	137.9
P18	0	0	3000	206.8	6000	413.7
P19	0	0	4500	310.3	9000	620.6
P20	0	0	6000	413.6	12000	827.4

ORIGINAL DATE	11-22-13
DRWN	A. KARLGREN
CHKD	S.R.
APPD	AJC

TITLE  
**2SLP GAGE PRESSURE SAFETY XMITTER**

**UE**  
UNITED ELECTRIC CONTROLS COMPANY  
WATERTOWN \* MASSACHUSETTS

B	E5017	REPLACED "SWITCH" WITH "SAFETY XMITTER" IN TITLE.	1-16-14	SR	ASK
A	E4967	INITIAL RELEASE	11-22-13	ASK	AJC
REV.	ECN#	DESCRIPTION	DATE	DRWN	APPD

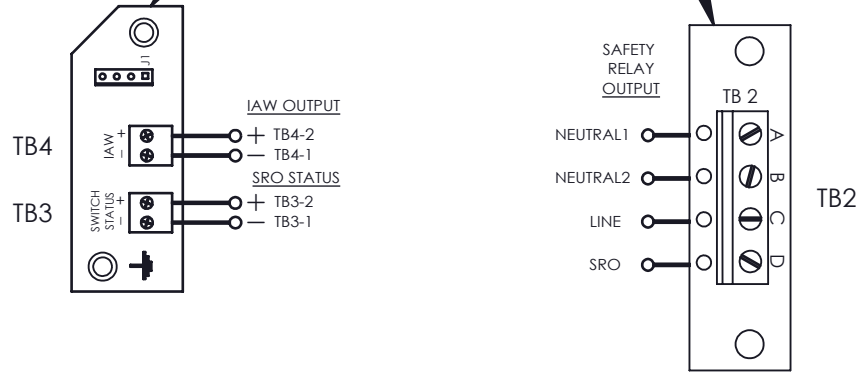
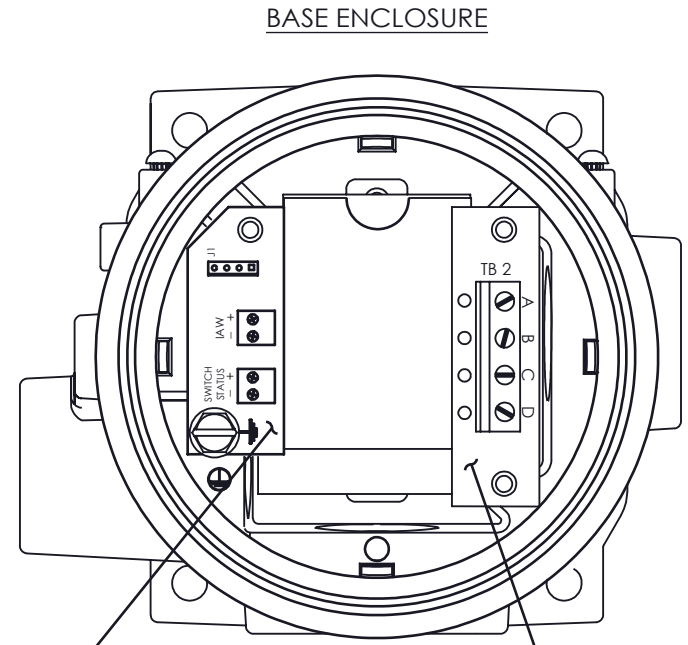
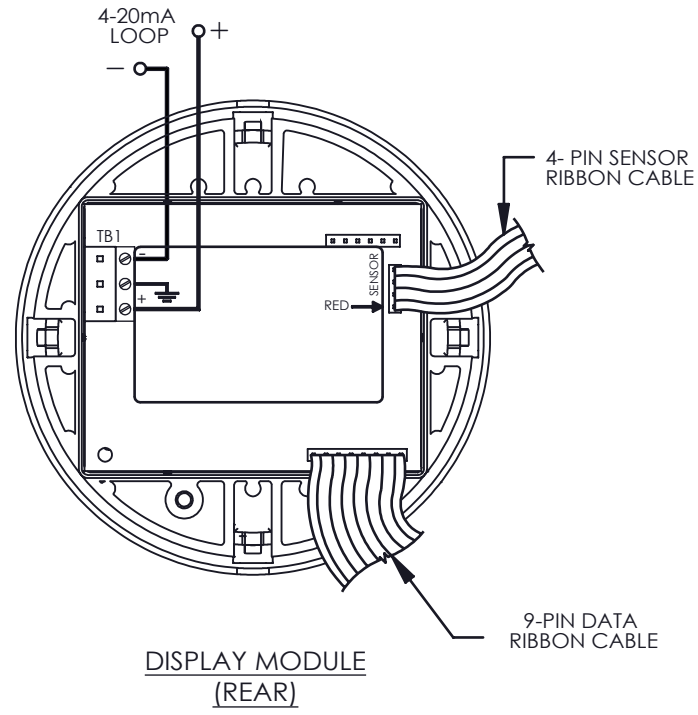
THIS DOCUMENT IS PROPRIETARY PROPERTY OF UNITED ELECTRIC CONTROLS. UNAUTHORIZED USE IS STRICTLY PROHIBITED.

UNLESS OTHERWISE SPECIFIED DIMENSIONS ARE IN INCHES  
TOLERANCES ON FRACTIONS ±1/64  
2 PLACE DEC 3 PLACE DEC ANGLES ±0.010 ±0.005 ±1/2°  
DO NOT SCALE THIS DRAWING

SCALE 1:1

DWG NO Page 1 of 2  
**A-14005**

2SLP WIRING DIAGRAM



ORIGINAL DATE	11-22-13
DRWN	A. KARLGREN
CHKD	S.R.
APPD	AJC
UNLESS OTHERWISE SPECIFIED DIMENSIONS ARE IN INCHES	
TOLERANCES ON FRACTIONS ±1/64	
2 PLACE DEC	3 PLACE DEC
±0.010	±0.005
ANGLES ±1/2°	
DO NOT SCALE THIS DRAWING	

TITLE	2SLP GAGE PRESSURE SAFETY XMITTER
SCALE	1:1

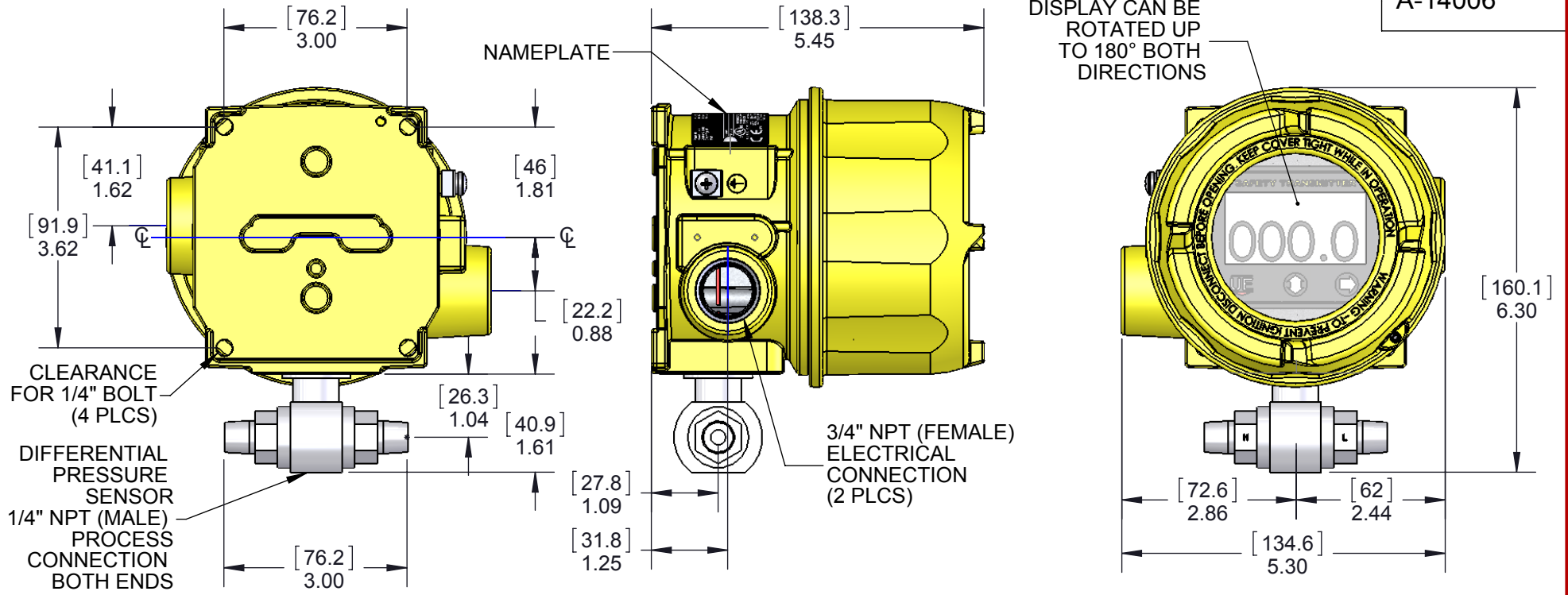
UNITED ELECTRIC CONTROLS COMPANY  
WATERTOWN \* MASSACHUSETTS

DWG NO Page 2 of 2

A-14005

REV.	ECN#	DESCRIPTION	DATE	DRWN	APPD
B	E5017	SEE PG. 1 OF 2.	1-16-14	SR	ASK
A	E4967	INITIAL RELEASE	11-22-13	ASK	AJC

THIS DOCUMENT IS PROPRIETARY PROPERTY OF UNITED ELECTRIC CONTROLS. UNAUTHORIZED USE IS STRICTLY PROHIBITED.



**SPECIFICATIONS:**

(SPECIFICATIONS AT 25°C (77°F) AND NOMINAL VOLTAGE UNLESS OTHERWISE NOTED).

**MECHANICAL:**

WETTED MATERIALS: 316 STAINLESS STEEL  
ENCLOSURE: TYPE 360 ALUMINUM; EPOXY POWDER COATED

**ELECTRICAL:**

**ELECTRICAL CONNECTIONS:**

POWER SUPPLY: 3 POSITION TERMINAL BLOCK, 22-14 AWG WIRE  
POWER INPUT: 4-20mA LOOP POWERED (20-40 Vdc)  
(REFERENCE I&M FOR ALLOWABLE POWER SUPPLY AND LOAD LIMITS)

SAFETY RELAY OUTPUT:  
IAW: 2 POSITION TERMINAL BLOCK, 16-26 AWG WIRE, 30Vdc @ 20mA (MAX)  
SWITCH STATUS: 2 POSITION TERMINAL BLOCK, 16-26 AWG WIRE, 30Vdc @ 20mA (MAX)

SWITCH SPECS:  
4 POSITION TERMINAL BLOCK, 14-20 AWG WIRE  
250VAC @ 5A

**APPROVALS:**

cULus Listed  
CLASS I, DIVISION 1, GROUPS A, B, C & D;  
CLASS II, DIVISION 1, GROUPS E, F & G; CLASS III  
CLASS I, ZONE 1, AEx d IIC T3/T5\*; CLASS 1, ZONE 1, Ex d IIC T3/T5\*  
Tamb = -40°C TO +70°C (-40°F TO 158°F)  
ENCLOSURE TYPE 4X; IP66

ATEX Approved  
II 2 G Ex d IIC T3/T5\*  
II 2 D Ex ID A21 IP66 T+90C  
DEMKO 09 ATEX 0813748X  
Tamb = -40°C TO +70°C (-40°F TO 158°F)

IECEx Approved  
IECEx UL 08.0017  
Ex d IIC T3/T5\*  
Ex ID A21 IP66 T+90C  
Tamb = -40°C TO +70°C (-40°F TO 158°F)

MODEL KXX	OPERATING RANGE			MAX. OVER PRESSURE		MAX. WORKING PRESSURE	
	LOW psi/bar	HIGH psi	bar	psi	bar	psi	bar
K10	0	5	0.3	10	0.7	50	3.4
K11	0	50	3.4	100	6.9	500	34.5
K12	0	100	6.9	200	13.8	1500	103.4
K13	0	200	13.8	400	27.6	1500	103.4

ORIGINAL DATE	11-22-13
DRWN	A. KARLGREN
CHKD	SR
APPD	AJC
UNLESS OTHERWISE SPECIFIED DIMENSIONS ARE IN INCHES TOLERANCES ON FRACTIONS ±1/64 2 PLACE DEC 3 PLACE DEC ANGLES ±0.010 ±0.005 ±1/2°	
DO NOT SCALE THIS DRAWING	

TITLE  
**2SLP DIFFERENTIAL PRESSURE SAFETY XMITTER**

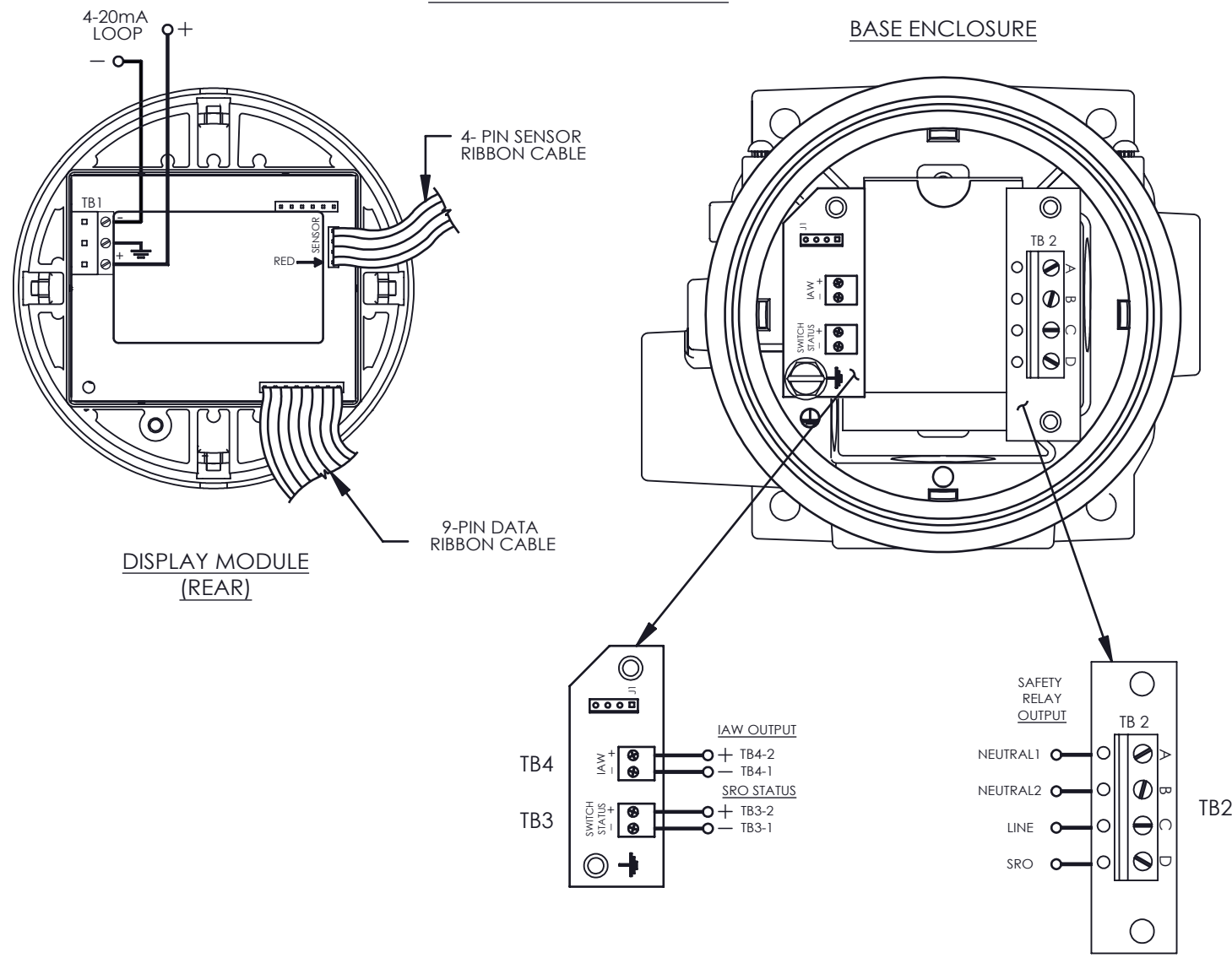
SCALE 1:1

**UE**  
UNITED ELECTRIC CONTROLS COMPANY  
WATERTOWN \* MASSACHUSETTS  
DWG NO Page 1 of 2  
**A-14006**

REV.	ECN#	DESCRIPTION	DATE	DRWN	APPD
C	E5171	REMOVED "*" MODELS P10-P16 HAVE A TEMPERATURE CLASS OF T3. ALL OTHER MODELS HAVE A T5 TEMPERATURE CLASS." FROM APPROVALS.	5-29-14	NAB	RG
B	E5017	REPLACED "SWITCH" WITH "SAFETY XMITTER" IN TITLE.	1-16-14	SR	ASK
A	E4967	INITIAL RELEASE	11-22-13	ASK	AJC

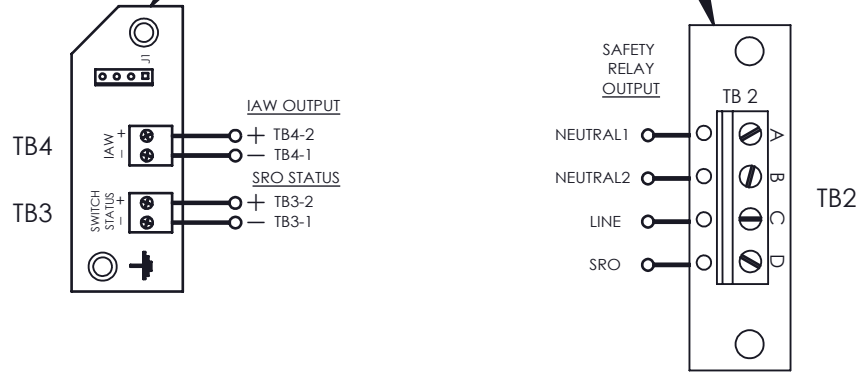
THIS DOCUMENT IS PROPRIETARY PROPERTY OF UNITED ELECTRIC CONTROLS. UNAUTHORIZED USE IS STRICTLY PROHIBITED.

### 2SLP WIRING DIAGRAM



DISPLAY MODULE (REAR)

BASE ENCLOSURE



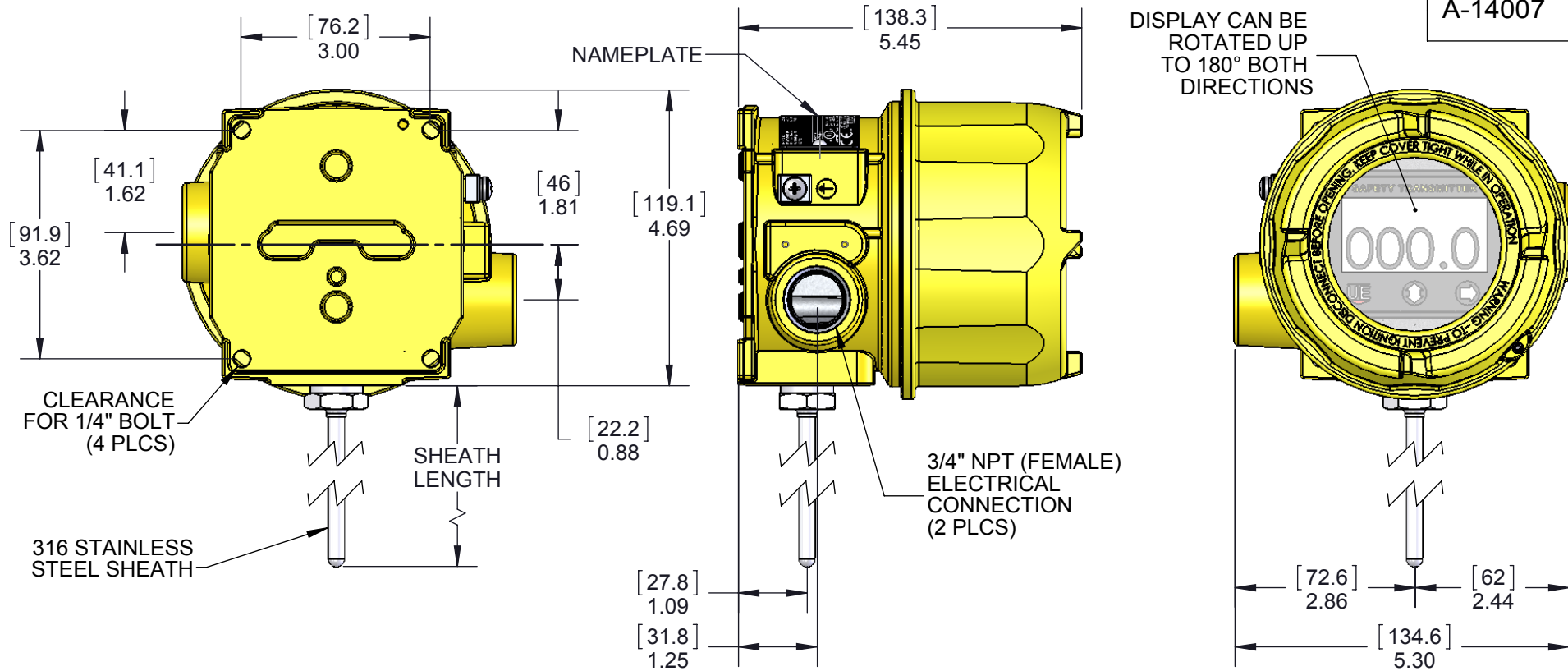
ORIGINAL DATE	11-22-13
DRWN	A. KARLGREN
CHKD	SR
APPD	AJC
UNLESS OTHERWISE SPECIFIED DIMENSIONS ARE IN INCHES TOLERANCES ON FRACTIONS ±1/64 2 PLACE DEC 3 PLACE DEC ANGLES ±0.010 ±0.005 ±1/2°	
DO NOT SCALE THIS DRAWING	

TITLE	2SLP DIFFERENTIAL PRESSURE SAFETY XMITTER
SCALE	1:1

**UE**  
 UNITED ELECTRIC CONTROLS COMPANY  
 WATERTOWN \* MASSACHUSETTS  
 DWG NO Page 2 of 2  
**A-14006**

REV.	ECN#	DESCRIPTION	DATE	DRWN	APPD
C	E5171	SEE PG. 1 OF 2.	5-29-14	NAB	RG
B	E5017	SEE PG. 1 OF 2.	1-16-14	SR	ASK
A	E4967	SEE SHEET 1	11-22-13	ASK	AJC

THIS DOCUMENT IS PROPRIETARY PROPERTY OF UNITED ELECTRIC CONTROLS. UNAUTHORIZED USE IS STRICTLY PROHIBITED.



A-14007

**SPECIFICATIONS:**

(SPECIFICATIONS AT 25°C (77°F) AND NOMINAL VOLTAGE UNLESS OTHERWISE NOTED).

**MECHANICAL:**

WETTED MATERIALS: 316 STAINLESS STEEL  
ENCLOSURE: TYPE 360 ALUMINUM; EPOXY POWDER COATED

**ELECTRICAL:**

**ELECTRICAL CONNECTIONS:**

POWER SUPPLY: 3 POSITION TERMINAL BLOCK, 22-14 AWG WIRE  
POWER INPUT: 4-20mA LOOP POWERED (20-40 Vdc)  
(REFERENCE I&M FOR ALLOWABLE POWER SUPPLY AND LOAD LIMITS)

SAFETY RELAY OUTPUT:  
IAW: 2 POSITION TERMINAL BLOCK, 16-26 AWG WIRE, 30Vdc @ 20mA (MAX)  
SWITCH STATUS: 2 POSITION TERMINAL BLOCK, 16-26 AWG WIRE, 30Vdc @ 20mA (MAX)

SWITCH SPECS:  
4 POSITION TERMINAL BLOCK, 14-20 AWG WIRE  
250VAC @ 5A

**APPROVALS:**

cULus Listed  
CLASS I, DIVISION 1, GROUPS A, B, C & D;  
CLASS II, DIVISION 1, GROUPS E, F & G; CLASS III  
CLASS I, ZONE 1, AEx d IIC T3/T5\*; CLASS 1, ZONE 1, Ex d IIC T3/T5\*  
Tamb = -40°C TO +70°C (-40°F TO 158°F)  
ENCLOSURE TYPE 4X; IP66

ATEX Approved  
II 2 G Ex d IIC T3/T5\*  
II 2 D Ex td A21 IP66 T+90C  
DEMKO 09 ATEX 0813748X  
Tamb = -40°C TO +70°C (-40°F TO 158°F)

IECEX Approved  
IECEX UL 08.0017  
Ex d IIC T3/T5\*  
Ex td A21 IP66 T+90C  
Tamb. = -40°C TO +70°C (-40°F TO 158°F)

MODEL TLX	SHEATH LENGTH	
	INCHES	[cm]
TL1	4"	[10.1]
TL2	6"	[15.2]
TL3	10"	[25.4]

THIS DOCUMENT IS PROPRIETARY PROPERTY OF UNITED ELECTRIC CONTROLS. UNAUTHORIZED USE IS STRICTLY PROHIBITED.

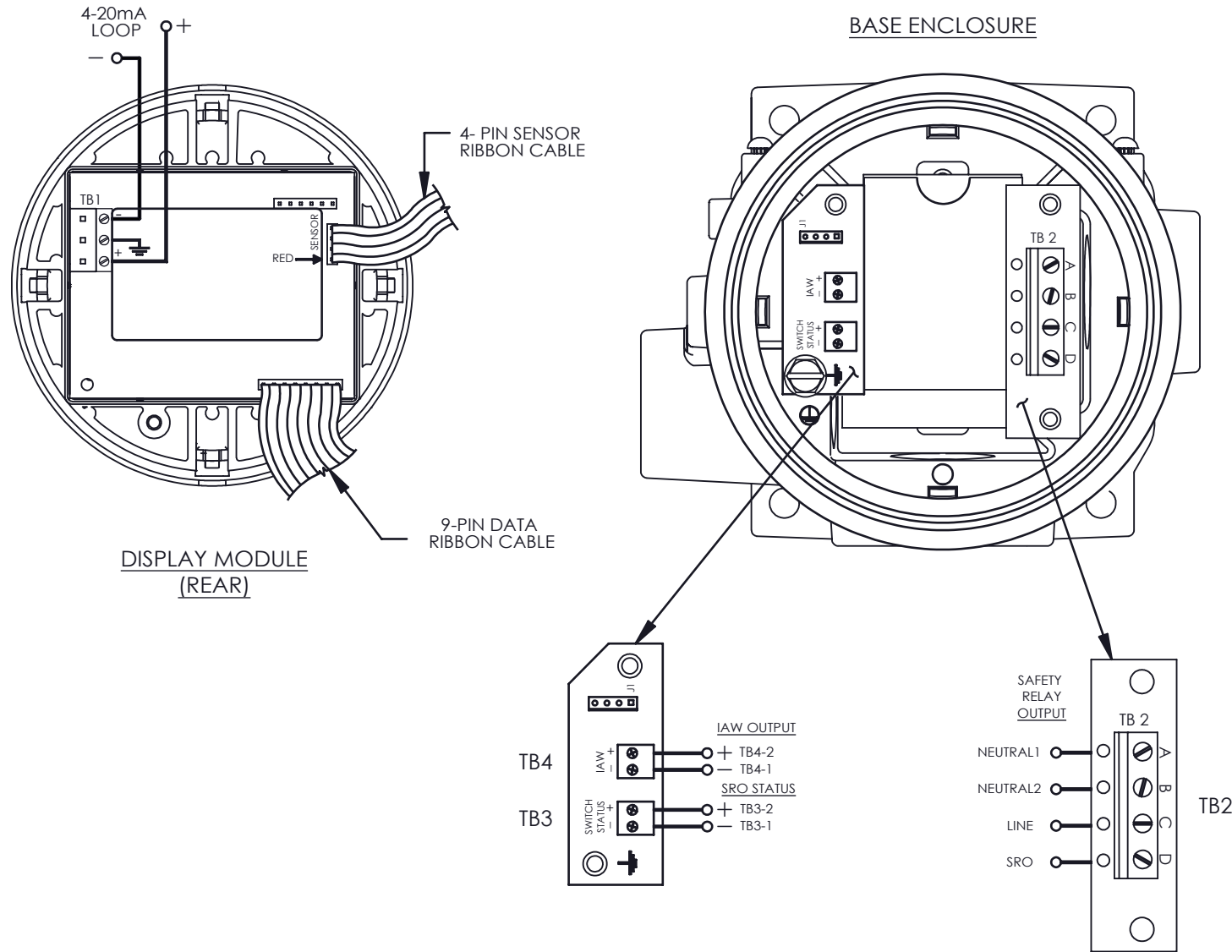
REV.	ECN#	DESCRIPTION	DATE	DRWN	APPD
C	E5171	REMOVED "*" MODELS P10-P16 HAVE A TEMPERATURE CLASS OF T3. ALL OTHER MODELS HAVE A T5 TEMPERATURE CLASS." FROM APPROVALS.	5-29-14	NAB	RG
B	E5017	REPLACED "SWITCH" WITH "SAFETY XMITTER" IN TITLE.	1-16-14	SR	ASK
A	E4967	INITIAL RELEASE	11-22-13	ASK	AJC

ORIGINAL DATE	11-22-13
DRWN	A. KARLGREN
CHKD	SR
APPD	AJC
UNLESS OTHERWISE SPECIFIED DIMENSIONS ARE IN INCHES	
TOLERANCES ON FRACTIONS ±1/64	
2 PLACE DEC ±0.010	3 PLACE DEC ±0.005
ANGLES ±1/2°	
DO NOT SCALE THIS DRAWING	

TITLE  
**2SLP LOCAL WELDED TEMP. SAFETY XMITTER**  
SCALE 1:1

**UE**  
UNITED ELECTRIC CONTROLS COMPANY  
WATERTOWN \* MASSACHUSETTS  
DWG NO Page 1 of 2  
**A-14007**

2SLP WIRING DIAGRAM



THIS DOCUMENT IS PROPRIETARY PROPERTY OF UNITED ELECTRIC CONTROLS. UNAUTHORIZED USE IS STRICTLY PROHIBITED.

REV.	ECN#	DESCRIPTION	DATE	DRWN	APPD
C	E5171	SEE PG. 1 OF 2.	5-29-14	NAB	RG
B	E5017	SEE PG. 1 OF 2.	1-16-14	SR	ASK
A	E4967	FIRST ISSUE.	11-22-13	ASK	AJC

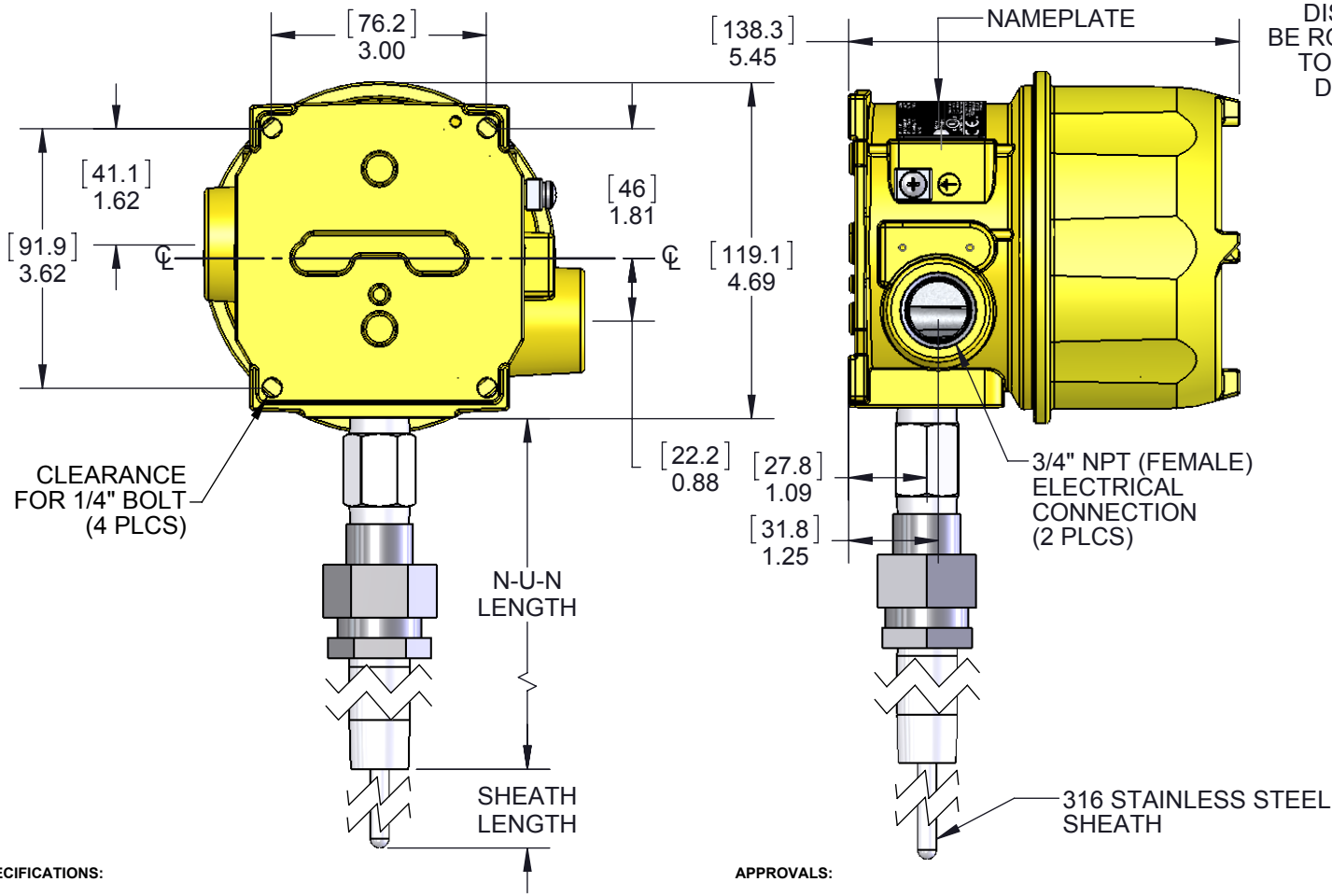
ORIGINAL DATE	11-22-13
DRWN	A. KARLGREN
CHKD	SR
APPD	AJC
UNLESS OTHERWISE SPECIFIED DIMENSIONS ARE IN INCHES	
TOLERANCES ON FRACTIONS ±1/64	
2 PLACE DEC	3 PLACE DEC
±0.010	±0.005
ANGLES ±1/2°	
DO NOT SCALE THIS DRAWING	

TITLE	2SLP LOCAL WELDED TEMP. SAFETY XMITTER
SCALE	1:1

**UE**  
 UNITED ELECTRIC CONTROLS COMPANY  
 WATERTOWN \* MASSACHUSETTS

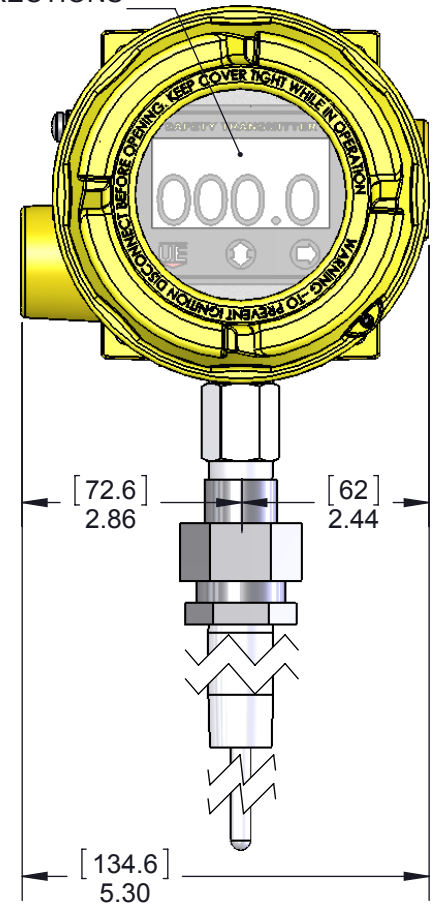
DWG NO Page 2 of 2  
**A-14007**





DISPLAY CAN BE ROTATED UP TO 180° BOTH DIRECTIONS

A-14008



**SPECIFICATIONS:**

(SPECIFICATIONS AT 25°C (77°F) AND NOMINAL VOLTAGE UNLESS OTHERWISE NOTED).

**MECHANICAL:**

WETTED MATERIALS: 316 STAINLESS STEEL  
ENCLOSURE: TYPE 360 ALUMINUM; EPOXY POWDER COATED

**ELECTRICAL:**

**ELECTRICAL CONNECTIONS:**

POWER SUPPLY: 3 POSITION TERMINAL BLOCK, 22-14 AWG WIRE  
POWER INPUT: 4-20mA LOOP POWERED (20-40 Vdc)  
(REFERENCE I&M FOR ALLOWABLE POWER SUPPLY AND LOAD LIMITS)

SAFETY RELAY OUTPUT:  
IAW: 2 POSITION TERMINAL BLOCK, 16-26 AWG WIRE, 30Vdc @ 20mA (MAX)  
SWITCH STATUS: 2 POSITION TERMINAL BLOCK, 16-26 AWG WIRE, 30Vdc @ 20mA (MAX)

SWITCH SPECS:  
4 POSITION TERMINAL BLOCK, 14-20 AWG WIRE  
250Vac @ 5A

**APPROVALS:**

**cULus Listed**  
CLASS II, DIVISION 1, GROUPS A, B, C & D;  
CLASS II, DIVISION 1, GROUPS E, F & G; CLASS III  
CLASS I, ZONE 1, AEx d IIC T3/T5\*; CLASS 1, ZONE 1, Ex d IIC T3/T5\*  
Tamb = -40°C TO +70°C (-40°F TO 158°F)  
ENCLOSURE TYPE 4X; IP66

**ATEX Approved**  
II 2 G Ex d IIC T3/T5\*  
II 2 D Ex tD A21 IP66 T+90C  
DEMKO 09 ATEX 0813748X  
Tamb = -40°C TO +70°C (-40°F TO 158°F)

**IECEx Approved**  
IECEx UL 08.0017  
Ex d IIC T3/T5\*  
Ex tD A21 IP66 T+90C  
Tamb = -40°C TO +70°C (-40°F TO 158°F)

MODEL TTC	TEMPERATURE RANGE	EXTENSION LENGTH	
		INCHES	[cm]
N-U-N LENGTH	-40 TO 900°F/ -40 TO 482°C	4"-10" IN 1 INCH INCREMENTS	[10.1-25.4]
SHEATH LENGTH	-40 TO 900°F/ -40 TO 482°C	UP TO 60" MAX	[152.4] MAX

REV.	ECN#	DESCRIPTION	DATE	DRWN	APPD
C	E5171	REMOVED "M" MODELS P10-P16 HAVE A TEMPERATURE CLASS OF T3. ALL OTHER MODELS HAVE A T5 TEMPERATURE CLASS." FROM APPROVALS.	5-29-14	NAB	RG
B	E5017	REPLACED "SWITCH" WITH "SAFETY XMITTER" IN TITLE.	1-16-14	SR	ASK
A	E4967	INITIAL RELEASE	11-22-13	ASK	AJC

THIS DOCUMENT IS PROPRIETARY PROPERTY OF UNITED ELECTRIC CONTROLS. UNAUTHORIZED USE IS STRICTLY PROHIBITED.

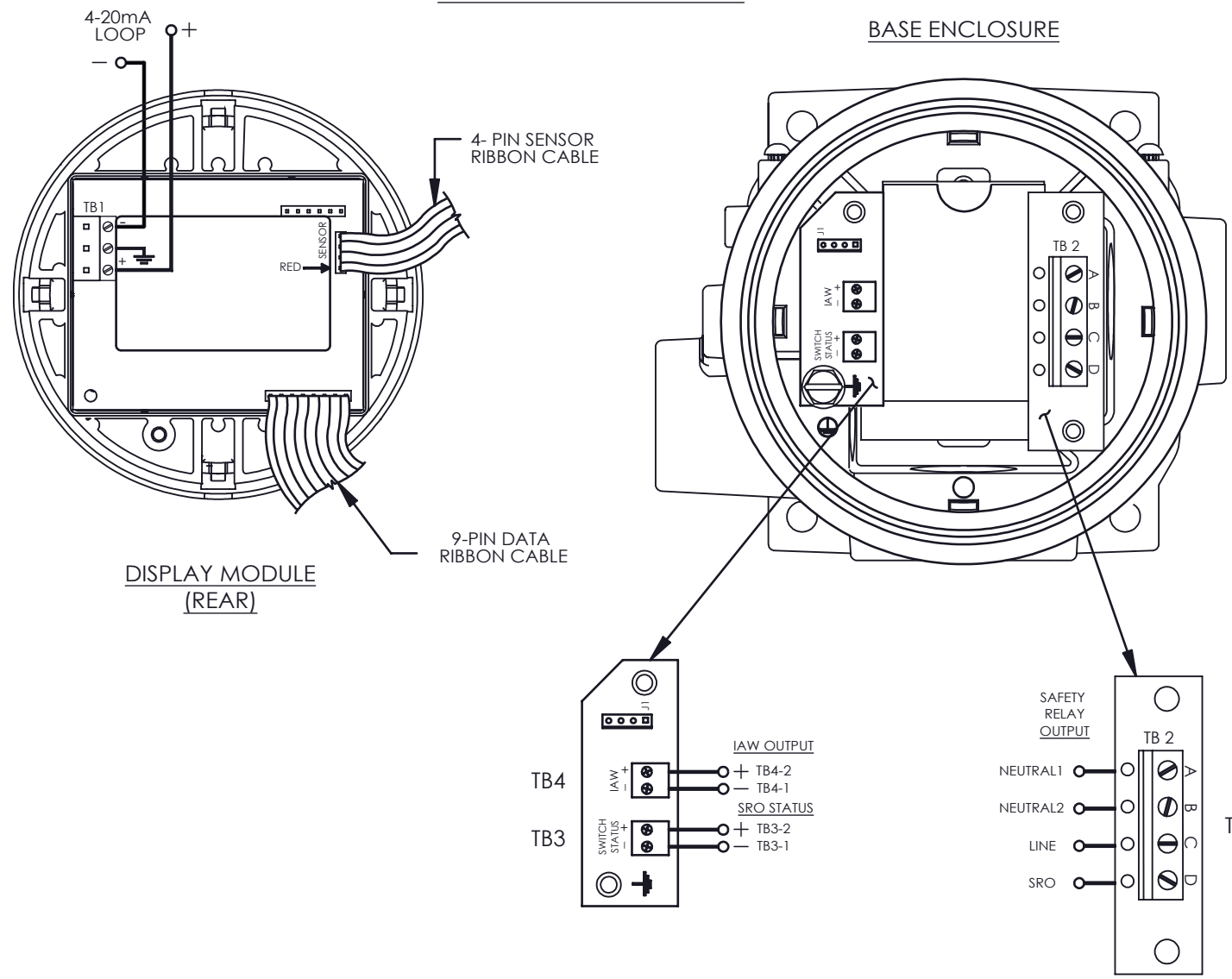
ORIGINAL DATE	11-22-13
DRWN	A. KARLGREN
CHKD	SR
APPD	AJC
UNLESS OTHERWISE SPECIFIED DIMENSIONS ARE IN INCHES	
TOLERANCES ON FRACTIONS ±1/64	
2 PLACE DEC	3 PLACE DEC
±0.010	±0.005
ANGLES ±1/2°	
DO NOT SCALE THIS DRAWING	

TITLE  
**2SLP SPRING LOADED TEMP. SAFETY XMITTER**

SCALE 1:1

**UE**  
UNITED ELECTRIC CONTROLS COMPANY  
WATERTOWN \* MASSACHUSETTS  
DWG NO Page 1 of 2  
**A-14008**

2SLP WIRING DIAGRAM



THIS DOCUMENT IS PROPRIETARY PROPERTY OF UNITED ELECTRIC CONTROLS. UNAUTHORIZED USE IS STRICTLY PROHIBITED.

REV.	ECN#	DESCRIPTION	DATE	DRWN	APPD
C	E5171	SEE PG. 1 OF 2.	5-29-14	NAB	RG
B	E5017	SEE PG. 1 OF 2.	1-16-14	SR	ASK
A	E4967	INITIAL RELEASE.	11-22-13	ASK	AJC

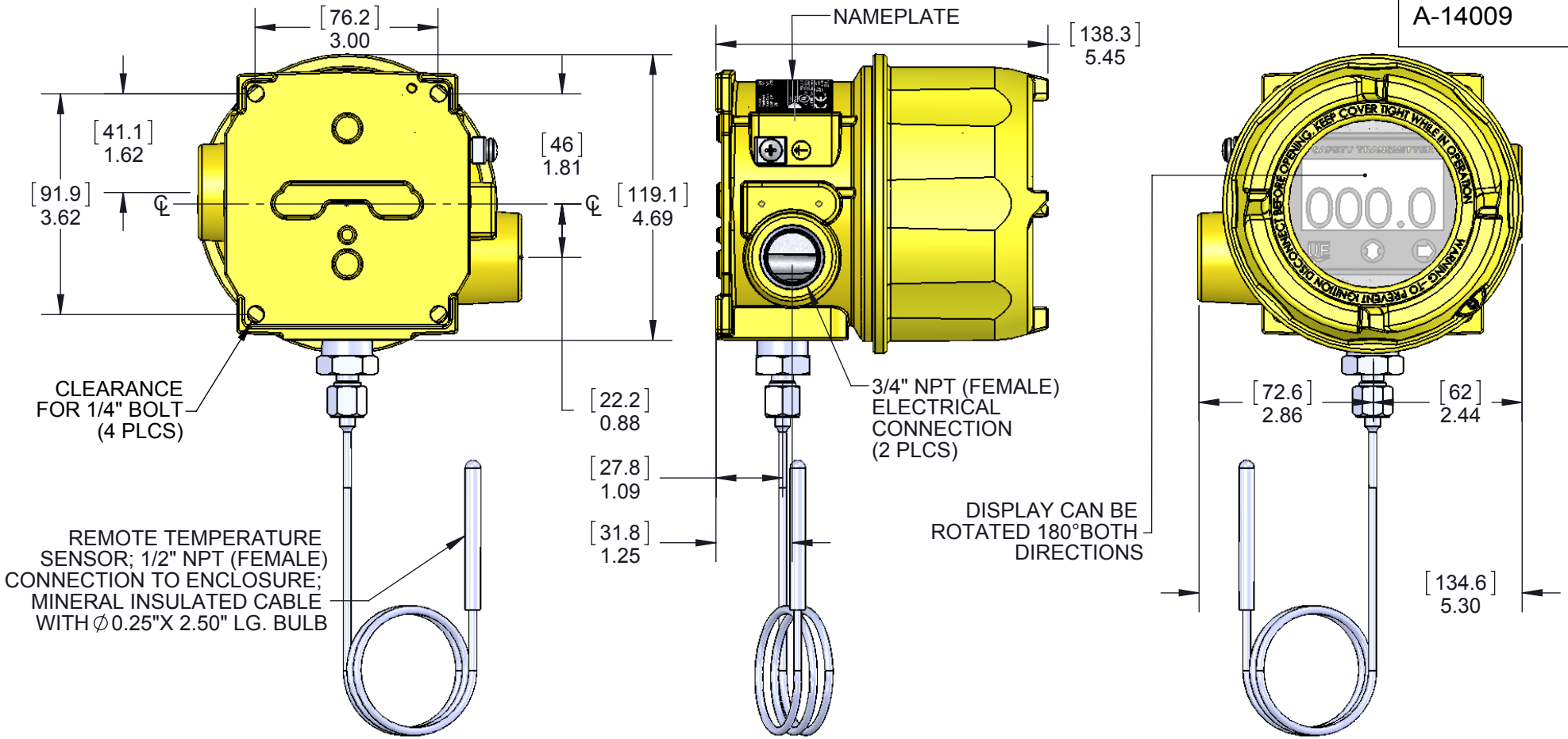
ORIGINAL DATE	11-22-13
DRWN	A. KARLGREN
CHKD	SR
APPD	AJC
UNLESS OTHERWISE SPECIFIED DIMENSIONS ARE IN INCHES	
TOLERANCES ON FRACTIONS ±1/64	
2 PLACE DEC	3 PLACE DEC
±0.010	±0.005
ANGLES	±1/2°
DO NOT SCALE THIS DRAWING	

TITLE	2SLP SPRING LOADED TEMP. SAFETY XMITTER
SCALE	1:1

**UE**  
 UNITED ELECTRIC CONTROLS COMPANY  
 WATERTOWN \* MASSACHUSETTS

DWG NO A-14008 Page 2 of 2





**SPECIFICATIONS:**

(SPECIFICATIONS AT 25°C (77°F) AND NOMINAL VOLTAGE UNLESS OTHERWISE NOTED).

**MECHANICAL:**

WETTED MATERIALS: 316 STAINLESS STEEL  
 ENCLOSURE: TYPE 360 ALUMINUM; EPOXY POWDER COATED

**ELECTRICAL:**

**ELECTRICAL CONNECTIONS:**

POWER SUPPLY: 3 POSITION TERMINAL BLOCK, 22-14 AWG WIRE  
 POWER INPUT: 4-20mA LOOP POWERED (20-40 Vdc)  
 (REFERENCE I&M FOR ALLOWABLE POWER SUPPLY AND LOAD LIMITS)

SAFETY RELAY OUTPUT:  
 IAW: 2 POSITION TERMINAL BLOCK, 16-26 AWG WIRE, 30Vdc @ 20mA (MAX)  
 SWITCH STATUS: 2 POSITION TERMINAL BLOCK, 16-26 AWG WIRE, 30Vdc @ 20mA (MAX)

SWITCH SPECS:  
 4 POSITION TERMINAL BLOCK, 14-20 AWG WIRE  
 250Vac @ 5A

**APPROVALS:**

**cULus Listed**  
 CLASS I, DIVISION 1, GROUPS A, B, C & D;  
 CLASS II, DIVISION 1, GROUPS E, F & G; CLASS III  
 CLASS I, ZONE 1, AEx d IIC T3/T5\*; CLASS 1, ZONE 1, Ex d IIC T3/T5\*  
 Tamb = -40°C TO +70°C (-40°F TO 158°F)  
 ENCLOSURE TYPE 4X; IP66

**ATEX Approved**  
 II 2 G Ex d IIC T3/T5\*  
 II 2 D Ex td A21 IP66 T+90C  
 DEMKO 09 ATEX 0813748X  
 Tamb = -40°C TO +70°C (-40°F TO 158°F)

**IECEX Approved**  
 IECEx UL 08.0017  
 Ex d IIC T3/T5\*  
 Ex td A21 IP66 T+90C  
 Tamb. = -40°C TO +70°C (-40°F TO 158°F)

MODEL	TEMPERATURE RANGE	EXTENSION LENGTH	
		ft	[meter]
TR1	-40 TO 450°F/ -40 TO 232°C	6'	[1.8]
TRC	-40 TO 450°F/ -40 TO 232°C	UP TO 30' max. IN 1' INCREMENTS	[9.1] MAX
TH1	-40 TO 1000°F/ -40 TO 538°C	6'	[1.8]
THC	-40 TO 1000°F/ -40 TO 538°C	UP TO 30' max. IN 1' INCREMENTS	[9.1] MAX
TC1	-300 TO 200°F/ -184 TO 93°C	6'	[1.8]
TCC	-300 TO 200°F/ -184 TO 93°C	UP TO 30' max. IN 1' INCREMENTS	[9.1] MAX

ORIGINAL DATE	11-22-13
DRWN	A. KARLGREN
CHKD	SR
APPD	AJC
UNLESS OTHERWISE SPECIFIED DIMENSIONS ARE IN INCHES	
TOLERANCES ON FRACTIONS ±1/64	
2 PLACE DEC	3 PLACE DEC
±0.010	±0.005
ANGLES ±1/2°	
DO NOT SCALE THIS DRAWING	

TITLE  
**2SLP  
 REMOTE  
 TEMP.  
 SAFETY  
 XMITTER**  
 SCALE 1:1

**UE**  
 UNITED ELECTRIC  
 CONTROLS COMPANY  
 WATERTOWN \* MASSACHUSETTS  
 DWG NO Page 1 of 2  
**A-14009**

REV.	ECN#	DESCRIPTION	DATE	DRWN	APPD
C	E5171	REMOVED "*" MODELS P10-P16 HAVE A TEMPERATURE CLASS OF T3. ALL OTHER MODELS HAVE A T5 TEMPERATURE CLASS." FROM APPROVALS	5-29-14	NAB	RG
B	E5017	REPLACED "SWITCH" WITH "SAFETY XMITTER" IN TITLE.	1-16-14	SR	ASK
A	E4967	INITIAL RELEASE	11-22-13	ASK	AJC

THIS DOCUMENT IS PROPRIETARY PROPERTY OF UNITED ELECTRIC CONTROLS. UNAUTHORIZED USE IS STRICTLY PROHIBITED.

