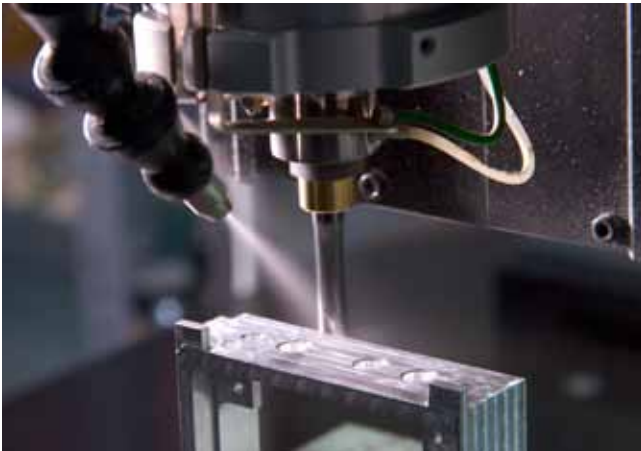


## PRESSURE, VACUUM AND TEMPERATURE



### FEATURES

- Compact Size
- Wide Selection of Adjustable Ranges:  
Pressure: 30" Hg Vac to 6000 psi (-1 to 413,7 bar)  
Temperature: -130 to 650°F (-90 to 343.3 °C)
- Choice of One or Two Switch Outputs
- Adjustable or Narrow Deadband Options
- Reference Dial or Hex Screw Set Point Adjustment



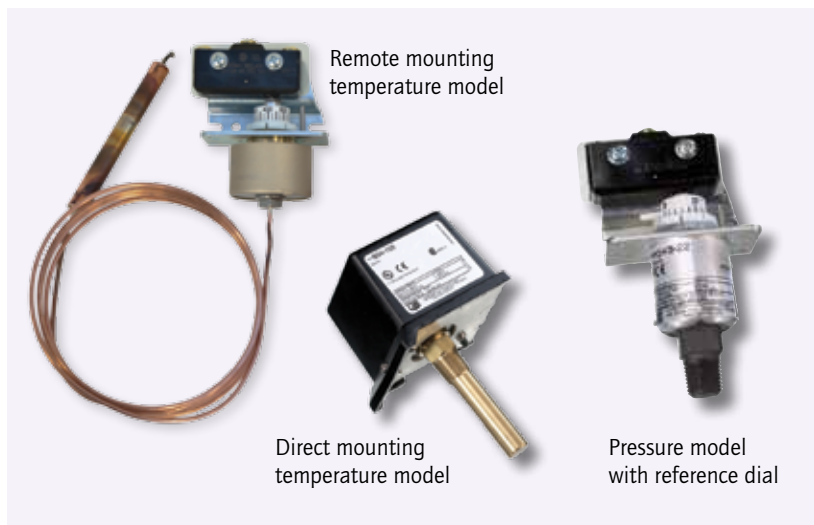
### OVERVIEW

The 54 Series offers the OEM a combination of reliable performance and low cost. Available in pressure and temperature versions, with single or dual SPDT outputs and enclosed or open frame (skeleton) construction, the 54 Series family provides design versatility.

The 54 has been field-proven in a wide variety of OEM applications, including medical, laboratory, fire protection and heating equipment.

### FEATURES

- Compact size
- Choice of one or two switch outputs
- Reference dial or hex screw-type setting
- Optional 1/2" NPT (male) by 1/8" NPT (female) polysulfone® pressure connection
- Optional external manual reset
- NEMA 1 or open frame (skeleton) versions for OEM applications
- Brass bellows models



Polysulfone® is a registered trademark of Amoco

**SPECIFICATIONS**

<b>STORAGE TEMPERATURE</b>	-65 to 160°F (-54 to 71°C)
<b>AMBIENT TEMPERATURE LIMITS</b>	
Pressure Models	Models 126-164, 610-614: -40 to 160°F (-40 to 71°C); Models 22-28; 16008, 16009: 0 to 160°F (-18 to 71°C)
Temperature Models	-40 to 160°F (-40 to 71°C). Set point typically shifts less than 1% of range for a 50°F (28°C) ambient temperature change.
<b>SHOCK</b>	Set point repeats after 15 G, 10 millisecond duration
<b>VIBRATION</b>	Set point repeats after 2.5 G, 5-500 CPS
<b>ENCLOSURE CLASSIFICATION</b>	Types C54, C54A, B54, F54, E54, J54, J54A, H54: complies with NEMA 1 requirements. Types C54S, B54S, F54S, E54S, J54S, J54AS, H54S: not applicable
<b>SET POINT REPEATABILITY</b>	
Pressure Models	Models 22-28, 16008-16009, 126-164: ± 1% of full scale range; Models 610-614: ± 1.5% of full scale range
Temperature Models	± 1% of full scale range
<b>SWITCH OUTPUT</b>	One or two SPDT snap action switch(es); dual switch may be separated up to 100% of range; switches may be wired "normally open" or "normally closed"
<b>ELECTRICAL RATING</b>	15A 125/250/480 VAC resistive except models 16008-16009 – 20A 480/VAC. Electrical switches have limited DC capabilities. Consult UE for additional information.
<b>ENCLOSURE MATERIAL</b>	Lexan® black finish for Types J54, J54A, H54, B54, C54, C54A, E54, F54 only
<b>WEIGHT</b>	Approximately 12 oz.
<b>ELECTRICAL CONNECTION</b>	Types J54 & H54, C54, C54A, B54, E54, F54: 7/8" diameter hole; Type J54A: 1-1/16" diameter hole
<b>PRESSURE CONNECTION</b>	Models 22-28, 16008, 16009: 1/4" NPT (male); 126-164, 610-614: 1/4" NPT (female)
<b>TEMPERATURE ASSEMBLY</b>	Bulb and Capillary: 6 feet copper or 304 stainless steel capillary Immersion Stem: Brass
<b>TEMPERATURE FILL</b>	Non-toxic oil
<b>TEMPERATURE DEADBAND</b>	Typically 1% of range under laboratory conditions (70°F circulating bath at rate of 1/2°F per minute change)

**APPROVALS**



**UNITED STATES AND CANADA**

**Type J54, J54A, H54**  
**UL Listed, cUL Certified**  
 Pressure: UL 508, CSA C22.2 No. 14, file # E42272  
**Type J54S, J54AS, H54S**  
**UL Recognized, cUL Recognized**  
 Pressure: UL 508, CSA C22.2 No. 14, file #E42272



**Type B54, C54, E54, F54**  
**UL listed, CSA Certified**  
 Temperature: UL 873, file # E10667;  
 CSA C22.2 No. 0 & 24, file # LR7814  
**Type B54S, C54S, E54S, F54S**  
**UL Recognized, CSA Certified**  
 Temperature: UL 873, file # E10667;  
 CSA C22.2 No. 0 & 24, file # LR7814



**EUROPE**

**Low Voltage Directive (LVD) (2006/95/EC)**  
 UEC compliant to LVD  
 Products rated lower than 50 VAC and 75 VDC are outside of the scope of the LVD  
 The Low Voltage Directive does not apply to open frame (skeleton) models.  
**Pressure Equipment Directive (PED) (97/23/EC)**  
 Compliant to PED  
 Products rated lower than 7.5 psi are outside the scope of the PED

Lexan® is a registered trademark of SABIC Innovative Plastics



## PRESSURE MODEL CHART

Model	Adjustable Set Point Range		Deadband		Over Range Pressure*		Proof Pressure**	
	psi (unless noted)	bar (unless noted)	psi (unless noted)	bar (unless noted)	psi	bar	psi	bar

### J54, J54A, J54S, J54AS, H54, H54S

Buna N diaphragm and O-Ring with 1/4" NPT (male) aluminum pressure connection; limited to process temperature below 200°F

22	30" Hg Vac to 0	-1 to 0	1 to 3.5" Hg Vac	33,9 to 118,5 mbar	0	0	50	3,4
24	3 to 30	0,2 to 2,1	0.4 to 1.5	27,6 to 89,6 mbar	50	3,4	200	13,8
25	10 to 100	0,7 to 6,9	1 to 2.5	68,9 to 172,4 mbar	100 above set point	6,9 above set point	above set point Max 600	above set point Max 41,4
27	30 to 300	2,1 to 20,7	1.3 to 4	89,6 to 275,8 mbar				
28	50 to 500	3,4 to 34,5	1.5 to 6	103,4 to 344,7 mbar				

Brass bellows with nickel-plated brass 1/4" NPT (female) pressure connection; Model 126 has a zinc-plated steel spring exposed to media

126	30" Hg Vac to 0	-1 to 0	0.2 to 0.9" Hg	6,8 to 30,5 mbar	3	0,2	5	0,3
137	0 to 80 "wc	0 to 199,1 mbar	1 to 8 "wc	2,5 to 19,9 mbar	3	0,2	5	0,3
144	0 to 20	0 to 1,4	0.1 to 0.5	6,9 to 34,5 mbar	20	1,4	25	1,7
146	0 to 30	0 to 2,1	0.1 to 0.6	6,9 to 41,4 mbar	30	2,1	40	2,8
152†	0 to 50	0 to 3,4	0.1 to 0.7	6,9 to 48,3 mbar	50	3,4	75	5,2
156	0 to 100	0 to 6,9	0.2 to 0.8	13,8 to 55,2 mbar	100	6,9	125	8,6
164	0 to 200	0 to 13,8	0.3 to 2	20,7 to 137,9 mbar	200	13,8	200	13,8

### J54, J54S

303 stainless steel piston and Buna N O-Ring with 1/4" NPT (female) pressure connection (not recommended for gas service since drying of the O-Ring can allow bleeding of the medium into the atmosphere)

610	75 to 1000	5,2 to 68,9	30 to 150	2,1 to 10,3	6000	413,7	10,000	689,5
612	125 to 3000	8,6 to 206,8	40 to 250	2,8 to 17,2	6000	413,7	10,000	689,5
614	700 to 6000	48,3 to 413,7	50 to 400	3,4 to 27,6	6000	413,7	10,000	689,5

	Adjustable Set Point Range	Adjustable Deadband		Over Range Pressure*		Proof Pressure**		
Buna N diaphragm and O-Ring with 1/4" NPT (male) brass pressure connection; includes adjustable deadband microswitch.								
16008††	30 to 300	2,1 to 20,7	10 to 30	0,7 to 2,1	100 above set point	6,9 above set point	200 above set point, max 600	13,8 above set point max 41,4
16009†††	30 to 300	2,1 to 20,7	10 to 30	0,7 to 2,1				

\*Over Range Pressure: The Maximum pressure that may be applied continuously without causing damage and maintaining set point repeatability.

\*\*Proof Pressure: The maximum pressure to which a pressure sensor may be occasionally subjected, which causes no permanent damage. The unit may require calibration (e.g., start-up, testing).

† Model not available for types H54, H54S

†† Model not available for type J54.

††† Model not available for type J54S.

**TEMPERATURE MODEL CHART**

Model	Adjustable Set Point Range		Max. Temperature		Scale*** Division		Stem Size
	°F	°C	°F	°C	°F	°C	NPT x BT (inches)
<b>B54, B54S, C54, C54S, C54A, C54AS</b> , Brass immersion stem							
103	0 to 225	-17.8 to 107.2	250	121.1	10	5	3/8 x 2-1/8
109	200 to 425	93.3 to 218.3	425	218.3	10	5	3/8 x 2-1/8
							OD x Length
<b>E54, F54</b> , Copper bulb and capillary							
D20BC	-130 to 120	-90 to 48.9	170	76.7	10	5	3/8 x 4-1/2
D21BC	0 to 150	-17.8 to 65.6	200	93.3	5	5	3/8 x 6-7/8
D22BC	50 to 300	10 to 148.9	350	176.7	10	5	3/8 x 4-1/2
D23BC	150 to 650	65.6 to 343.3	700	371.1	25	10	3/8 x 3-5/8
<b>E54, F54</b> , Stainless steel bulb and capillary							
D20BS†	-130 to 120	-90 to 48.9	170	76.7	10	5	3/8 x 4-1/2
D21BS	0 to 150	-17.8 to 65.6	200	93.3	5	5	3/8 x 6-7/8
D22BS	50 to 300	10 to 148.9	350	176.7	10	5	3/8 x 4-1/2
D23BS	150 to 650	65.6 to 343.3	700	371.1	25	10	3/8 x 3-5/8
<b>E54S, F54S</b> , Copper bulb and capillary							
D21BC	0 to 150	-17.8 to 65.6	200	93.3	5	5	3/8 x 6-7/8
D22BC	50 to 300	10 to 148.9	350	176.7	10	5	3/8 x 4-1/2
D23BC	150 to 650	65.6 to 343.3	700	371.1	25	10	3/8 x 3-5/8
<b>E54S, F54S</b> , Stainless steel bulb and capillary							
D21BS	0 to 150	-17.8 to 65.6	200	93.3	5	5	3/8 x 6-7/8
D22BS	50 to 300	10 to 148.9	350	176.7	10	5	3/8 x 4-1/2
D23BS	150 to 650	65.6 to 343.3	700	371.1	25	10	3/8 x 3-5/8

† Not available Type F54

\*\*\* Applies to Types B54, B54S, E54, E54S only



## HOW TO ORDER

### BUILDING A PART NUMBER

#### Select a **Type**

Refer to the "Type" section below.

Determine type number based on switch output, enclosure, adjustment and reference.

Fill in the type portion of your part number with the corresponding number.

#### Select a **Model**

Refer to the "Model Charts."

Determine model based on adjustable range, deadband and proof pressure.

Fill in the model portion of your part number with the corresponding number.

#### Select an **Option**

Refer to the "Options" section.

Determine option number based on switch output, optional materials or other product enhancements.

Fill in the option portion of your part number with the corresponding number.

Leave "option" portion blank if no options are needed. FOR MULTIPLE OPTIONS: Call United Electric Controls.

#### **TYPE**

J54:

J54A:

J54S:

J54AS:

H54:

H54S:

#### **DESCRIPTION - PRESSURE MODELS**

NEMA 1 enclosure; One SPDT output; internal hex adjustment with no reference dial

NEMA 1 enclosure; Two SPDT outputs; internal hex adjustment with no reference dial

Skeleton construction; One SPDT output; hex adjustment with no reference dial

Skeleton construction; Two SPDT outputs; hex adjustment with no reference dial

NEMA 1 enclosure; One SPDT output; internal adjustment with reference dial

Skeleton construction; One SPDT output; adjustment with reference dial

#### **TEMPERATURE MODELS**

C54:

C54A:

C54S:

C54AS:

B54:

B54S:

F54:

F54S:

E54:

E54S:

NEMA 1 enclosure; Immersion stem; one SPDT output; internal hex adjustment with no reference dial

NEMA 1 enclosure; Immersion stem; two SPDT outputs; internal hex adjustment with no reference dial

Skeleton construction; Immersion stem; one SPDT output; hex adjustment with no reference dial

Skeleton construction; Immersion stem; Two SPDT outputs; hex adjustment with no reference dial

NEMA 1 enclosure; Immersion stem; one SPDT output; internal adjustment with reference dial

Skeleton construction; Immersion stem; one SPDT output; adjustment with reference dial

NEMA 1 enclosure; Bulb and capillary; one SPDT output; internal hex adjustment with no reference dial

Skeleton construction; Bulb and capillary; one SPDT output; hex adjustment with no reference dial

NEMA 1 enclosure; Bulb and capillary; one SPDT output; internal adjustment with reference dial

Skeleton construction; Bulb and capillary; one SPDT output; adjustment with reference dial

#### **SWITCH OPTIONS\***

##### **CODE**

0140

0500

1520

1530

2000

##### **DESCRIPTION**

Gold contacts, 1A 125 VAC resistive. NOT AVAILABLE ON MODELS 16008-16009.

Close deadband, 5A 125/250 VAC resistive. NOT AVAILABLE ON B54, J54A, B54S, C54, C54S, C54A, C54AS, E54S, F54, F54S, AND MODELS 16008-16009.

Adjustable deadband, 15A 125/250/480 VAC resistive. Adjustable wheel changes rise setting only. If adjustment of fall setting is required, use primary adjustment. NOT AVAILABLE ON TYPES J54A, J54AS, H54, H54S, PRESSURE MODELS 610-614, 16008-16009 & TEMPERATURE VERSIONS

External manual reset, 15A 125/250/480 VAC resistive; reset on increasing pressure or temperature only. NOT AVAILABLE ON TYPES J54A, J54S, J54AS, H54S, B54S, C54A, C54AS, C54S, E54S, F54S OR MODELS 610-614, 16008-16009

20A 125/250/480 VAC resistive. NOT AVAILABLE ON MODELS 16008-16009.

\* All switches have limited DC capabilities. Consult factory for details.

**GENERAL OPTIONS**

CODE	DESCRIPTION
M201	Factory set one switch; specify increasing or decreasing pressure or temperature and set point. NOT AVAILABLE ON TYPES J54A, J54AS, C54A, C54AS AND MODELS 16008-16009.
M202	Factory set two switches; specify increasing or decreasing pressure or temperature and set point. NOT AVAILABLE ON TYPES J54, J54S, H54, H54S, B54, B54S, C54, C54S, E54, E54S, F54, F54S
M270	Calibrated dial in Celsius. NOT AVAILABLE ON PRESSURE VERSIONS AND TYPES B54, B54S, C54, C54S, C54A, C54AS, F54, F54S
M277	Range indicated on nameplate in kPa or MPa. NOT AVAILABLE ON TEMPERATURE VERSIONS AND MODELS 16008-16009.
M278	Range indicated on nameplate in kg/cm <sup>2</sup> . NOT AVAILABLE ON TEMPERATURE VERSIONS AND MODELS 16008-16009.
M444	Paper ID tag. NOT AVAILABLE MODELS 16008-16009.
M446	Stainless steel ID tag & wire attachment. NOT AVAILABLE MODELS 16008-16009.
M540	Viton® construction (deadband and low end range may increase slightly. Consult factory); Wetted parts include Viton® diaphragm and O-Ring plus standard connection material. NOT AVAILABLE MODELS 126-164, 16008-16009 OR TEMPERATURE VERSIONS

**PRESSURE CONNECTION OPTIONS**

M501	Polysulfone® pressure connection 1/2" NPT (male) x 1/8" NPT (female). NOT AVAILABLE MODELS 126-164, 610-614, 16008-16009 OR TEMPERATURE VERSIONS
------	--

**OPTIONS FOR TEMPERATURE MODELS****UNION CONNECTORS**

*For all bulb & capillary switches*

Option	Replacement Number	Description
<u>Brass</u>		
W027	SD6213-27	1/2" NPT w/ 3/4" bushing
W045	SD6213-45	3/4" NPT
W051	SD6213-51	1/2" NPT
<u>304 Stainless Steel</u>		
W028	SD6213-28	1/2" NPT w/ 3/4" bushing
W046	SD6213-46	3/4" NPT
W050	SD6213-50	1/2" NPT

**THERMOWELLS**

*For all bulb & capillary switches*

<u>Brass</u>		
W075	SD6225-75	3/4" bushing adapter, 4" BT
W191	SD6225-191	1/2" NPT, 4" BT
W118	SD6225-118	3/4" bushing adapter, 7" BT
W192	SD6225-192	1/2" NPT, 7" BT
<u>316 Stainless Steel</u>		
W076	SD6225-76	3/4" NPT, 4.5" BT
W193	SD6225-193	1/2" NPT, 4.5" BT
W119	SD6225-119	3/4" NPT, 7.5" BT
W177	SD6225-177	1/2" NPT, 7.5" BT
<i>For all Immersion stem switches</i>		
W141	SD6225-141	1/2" NPT x 1 9/16" BT, brass
W146	SD6225-146	1/2" NPT x 1 9/16" BT, 316 stainless steel

**OPTIONAL LENGTHS:**

Optional immersion stem lengths to 15" may be available in brass, with or without 316 st/st thermowell. Consult UE for availability.

Optional capillary length to \*50' may be available in copper or 304 st/st. Consult UE for availability.

Armor or Teflon® capillary protection may be available to lengths less than or equal to capillary length. Consult UE for availability.

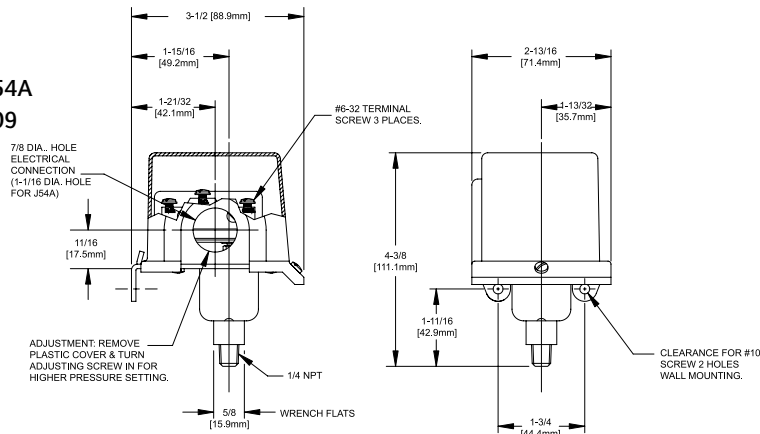
*\*Consult UE regarding repeatability and ambient effects on capillary lengths over 30'.*

*Viton® is a registered trademark of E.I. duPont Nemours and Company.*

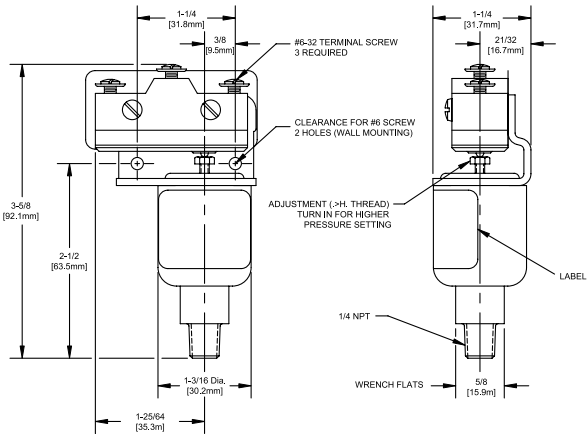
## DIMENSIONAL DRAWINGS

### Pressure Models

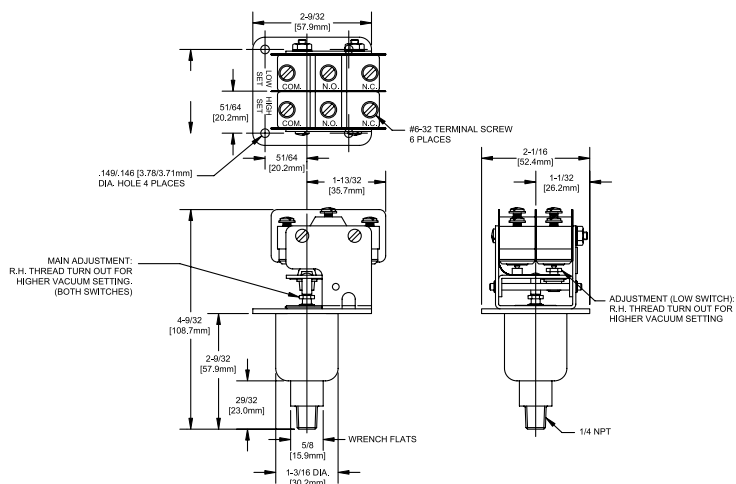
#### Type H54, J54 and J54A Models 22 - 28, 16009



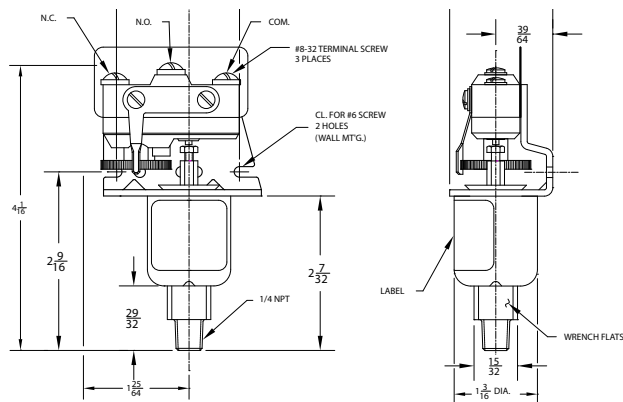
#### Type J54S, Models 22 - 28



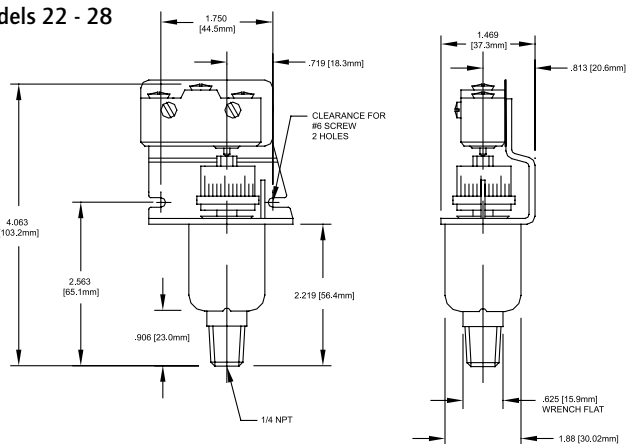
#### Type J54AS, Models 22 - 28



#### J54S, Model 16008

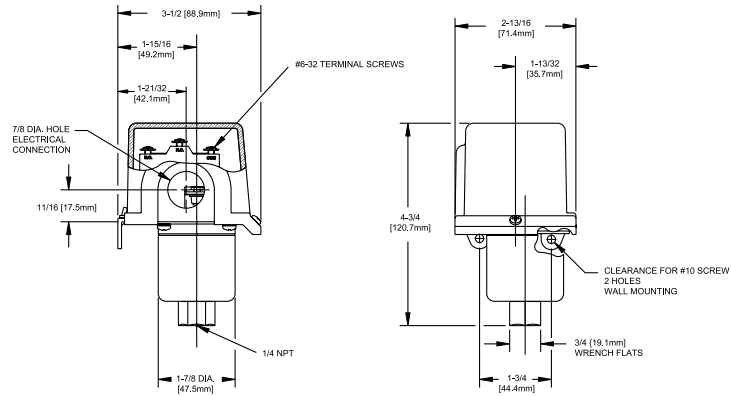


#### Type H54S, Models 22 - 28

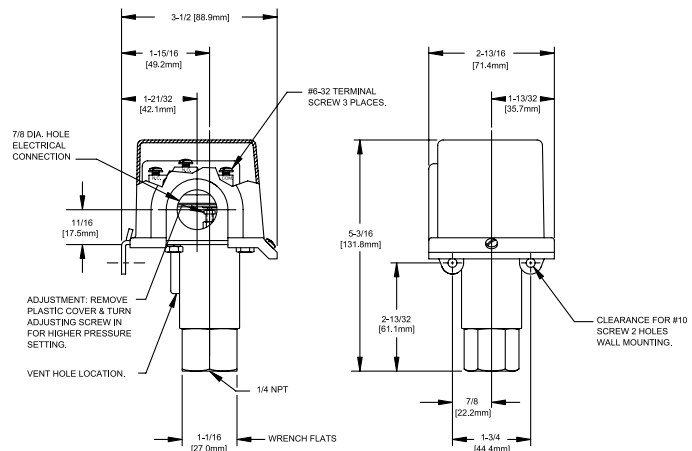




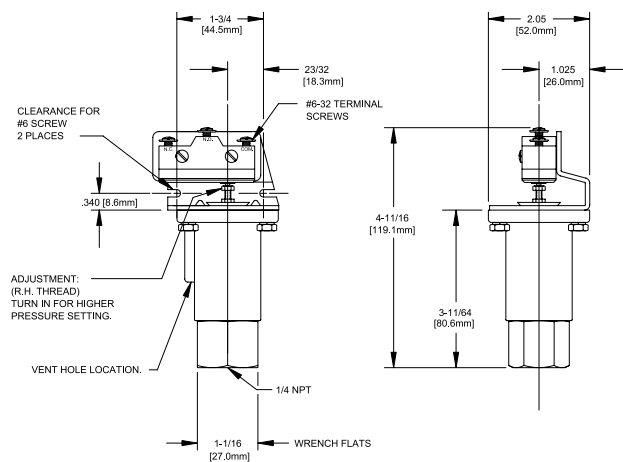
## Type H54, J54, and J54A Models 126-164



## Type J54 Models 610 - 614



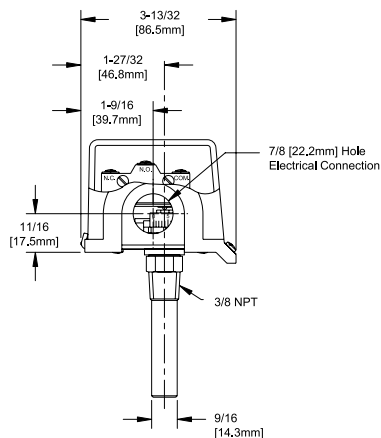
## Type J54S Models 610 - 614



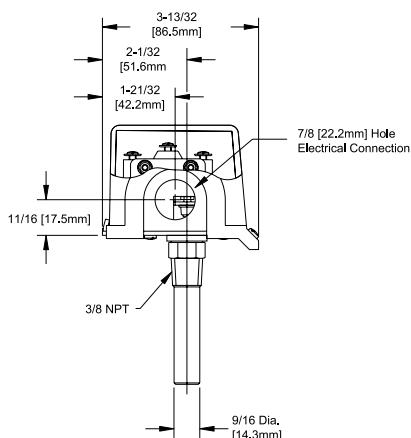
## DIMENSIONAL DRAWINGS

### Temperature Models

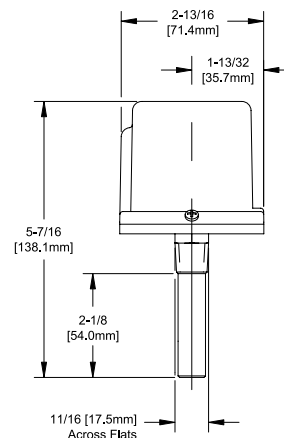
#### Types B54, C54



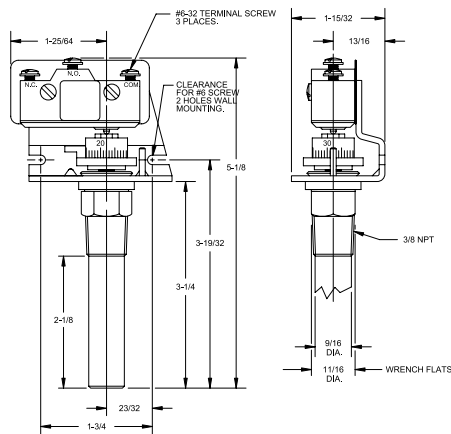
#### Type C54A



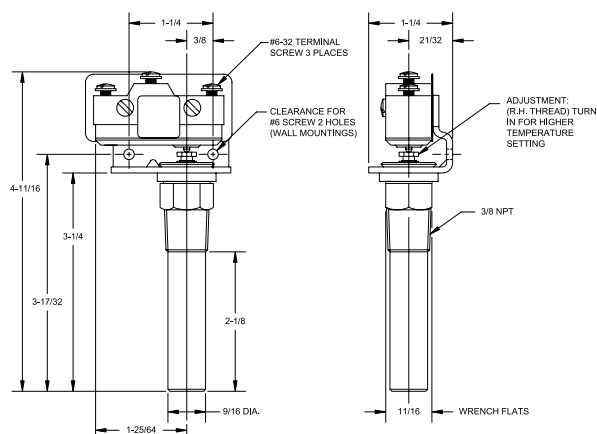
#### Types B54, C54, C54A



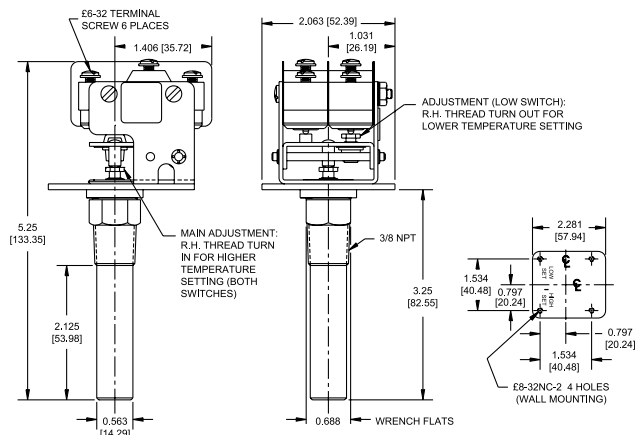
#### Type B54S



#### Type C54S

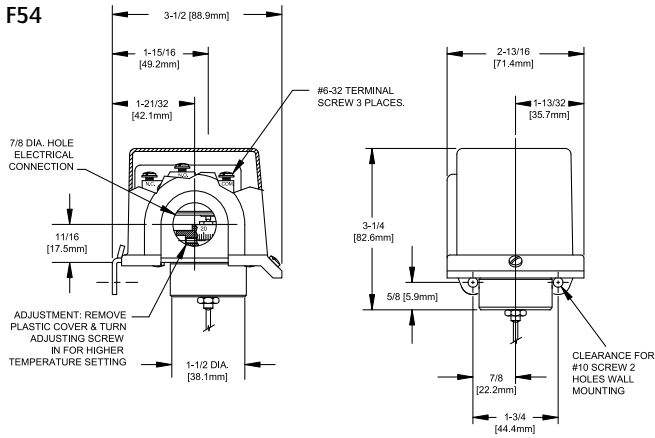


#### Type C54AS

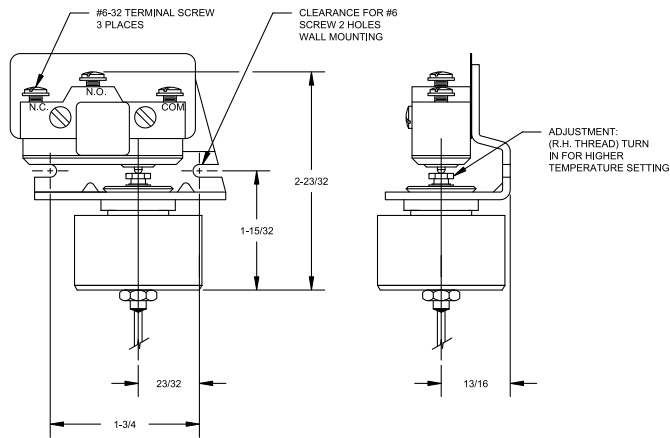


All dimensions stated in inches (millimeters)

## Types E54 and F54

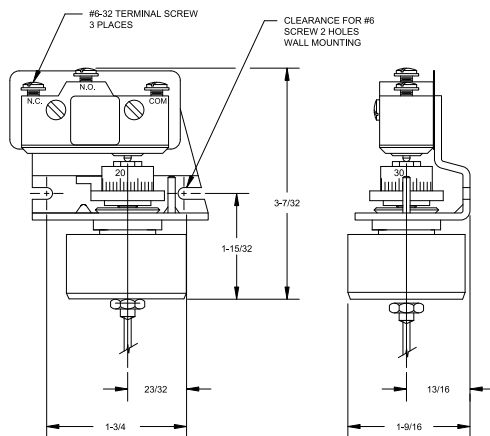


## Type F54S



Bulb Size		
Models	Inches	mm
E54 & F54		
D20BC, D20BS, D22BC, D22BS	4.50	114.3
D21BC, D21BS	6.86	174.6
D23BC, D23BS	3.63	92.1
E54S & F54S		
D21BC, D21BS	6.86	174.6
D22BC, D22BS	4.50	114.3
D23BC, D23BS	3.63	92.1

## Type E54S



## RECOMMENDED PRACTICES AND WARNINGS

United Electric Controls Company recommends careful consideration of the following factors when specifying and installing UE pressure and temperature units. Before installing a unit, the Installation and Maintenance instructions provided with unit must be read and understood.

- To avoid damaging unit, proof pressure and maximum temperature limits stated in literature and on nameplates must never be exceeded, even by surges in the system. Operation of the unit up to maximum pressure or temperature is acceptable on a limited basis (e.g., start-up, testing) but continuous operation must be restricted to the designated adjustable range. Excessive cycling at maximum pressure or temperature limits could reduce sensor life.
- A back-up unit is necessary for applications where damage to a primary unit could endanger life, limb or property. A high or low limit switch is necessary for applications where a dangerous runaway condition could result.
- The adjustable range must be selected so that incorrect, inadvertent or malicious setting at any range point cannot result in an unsafe system condition.
- Install unit where shock, vibration and ambient temperature fluctuations will not damage unit or affect operation. When applicable, orient unit so that moisture does not enter the enclosure via the electrical connection. When appropriate, this entry point should be sealed to prevent moisture entry.
- Unit must not be altered or modified after shipment. Consult UE if modification is necessary.
- Monitor operation to observe warning signs of possible damage to unit, such as drift in set point or faulty display. Check unit immediately.
- Preventative maintenance and periodic testing is necessary for critical applications where damage could endanger property or personnel.
- Electrical ratings stated in literature and on nameplate must not be exceeded. Overload on a switch can cause damage, even on the first cycle. Wire unit according to local and national electrical codes, using wire size recommended in installation sheet.
- Do not mount unit in ambient temp. exceeding published limits.

## LIMITED WARRANTY

Seller warrants that the product hereby purchased is, upon delivery, free from defects in material and workmanship and that any such product which is found to be defective in such workmanship or material will be repaired or replaced by Seller (Ex-works, Factory, Watertown, Massachusetts. INCOTERMS); provided, however, that this warranty applies only to equipment found to be so defective within a period of 24 months from the date of manufacture by the Seller. Seller shall not be obligated under this warranty for alleged defects which examination discloses are due to tampering, misuse, neglect, improper storage, and in any case where products are disassembled by anyone other than authorized Seller's representatives. EXCEPT FOR THE LIMITED WARRANTY OF REPAIR AND REPLACEMENT STATED ABOVE, SELLER DISCLAIMS ALL WARRANTIES WHATSOEVER WITH RESPECT TO THE PRODUCT, INCLUDING ALL IMPLIED WARRANTIES OF MERCHANTABILITY OR FITNESS FOR ANY PARTICULAR PURPOSE.

## LIMITATION OF SELLER'S LIABILITY

Seller's liability to Buyer for any loss or claim, including liability incurred in connection with (i) breach of any warranty whatsoever, expressed or implied, (ii) a breach of contract, (iii) a negligent act or acts (or negligent failure to act) committed by Seller, or (iv) an act for which strict liability will be inputted to seller, is limited to the "limited warranty" of repair and/or replacement as so stated in our warranty of product. In no event shall the Seller be liable for any special, indirect, consequential or other damages of a like general nature, including, without limitation, loss of profits or production, or loss or expenses of any nature incurred by the buyer or any third party.

*UE specifications subject to change without notice.*

## U.S. SALES OFFICES

United Electric Controls  
31 Old Stage Road  
Hampton Falls, NH 03844  
Phone: 617-899-1132  
email: [northeastsales@ueonline.com](mailto:northeastsales@ueonline.com)

United Electric Controls  
28 N. Wise Ave.  
Freeport, IL 61032  
Phone: 815-341-2588  
email: [midwestsales@ueonline.com](mailto:midwestsales@ueonline.com)

United Electric Controls  
1022 Vineyard Drive  
Conyers, GA 30013  
Phone: 770-335-9802  
email: [southeastsales@ueonline.com](mailto:southeastsales@ueonline.com)

United Electric Controls  
5829 Grazing Court  
Mason, OH 45040  
Phone: 513-535-5486  
email: [midatlanticsales@ueonline.com](mailto:midatlanticsales@ueonline.com)

United Electric Controls  
102 Salazar Court  
Clayton, CA 94517  
Phone: 925-408-5997  
email: [westcoastsales@ueonline.com](mailto:westcoastsales@ueonline.com)

United Electric Controls  
27 Summit Terrace  
Sparta, NJ 07871  
Phone: 973-271-2550  
email: [easternsales@ueonline.com](mailto:easternsales@ueonline.com)

United Electric Controls  
33018 Weatherby Court  
Fulshear, Texas 77441  
Phone: 832-457-6138  
email: [southwestsales@ueonline.com](mailto:southwestsales@ueonline.com)

## CANADA

EASTERN  
68 Mosley Crescent  
Brampton, Ontario  
Canada L6Y 5C8  
Phone: 905-455-5131  
FAX: 905-455-5131



UNITED ELECTRIC  
CONTROLS

180 Dexter Avenue, P.O. Box 9143  
Watertown, MA 02471-9143 USA  
Telephone: 617 926-1000 Fax: 617 926-2568  
<http://www.ueonline.com>

## INTERNATIONAL OFFICES

### CHINA

United Electric Controls, *Shanghai Office*  
Room 1011, 10th Flr,  
Huai Hai Zhonghua Building  
No. 885, Renmin Road, Luwan District  
Shanghai 200010, P.R. China  
Phone: +8621-6255 8059  
email: [chinasales@ueonline.com](mailto:chinasales@ueonline.com)

United Electric Controls, *Beijing Office*  
Room 1006, Jainhao International Bldg.  
Block D, No. 116  
Zizhuyuanlu, Haidian District  
Beijing, China 100089  
Phone & Fax: +86-10-5893-0551  
email: [beijingsales@ueonline.com](mailto:beijingsales@ueonline.com)

### EUROPE

United Electric Controls  
05-806 Komorow  
Kujawska 5, Poland  
Phone: +48 22 499 4804  
email: [easterneuropesales@ueonline.com](mailto:easterneuropesales@ueonline.com)

### INDIA

United Electric  
#402, Aries Avenue - 1  
United Colony, Sama, Baroda  
Baroda (Gujarat), India  
Phone: +91 (-265) -2788654  
email: [indiasales@ueonline.com](mailto:indiasales@ueonline.com)

### ASIA-PACIFIC

United Electric Controls, Far East  
No. 1-2-2, 2nd Floor  
Jalan 4/101C  
Cheras Business Centre  
56100 Kuala Lumpur, Malaysia  
Phone: 603-9133-4122  
email: [asiapacific@ueonline.com](mailto:asiapacific@ueonline.com)

### MEXICO

United Electric Controls  
Privada Fernando San Pedro 305  
Col El Naranjal 89349  
Tampico, Tamaulipas Mexico  
Phone: +52 833-116-7637  
email: [latinamericasales@ueonline.com](mailto:latinamericasales@ueonline.com)

### RUSSIA & SCANDINAVIA

United Electric Controls, Moscow  
Elninskaya str., 15-140  
Moscow, 121552 Russia  
Phone: +7 (495) 792-88-06  
email: [russiansales@ueonline.com](mailto:russiansales@ueonline.com)