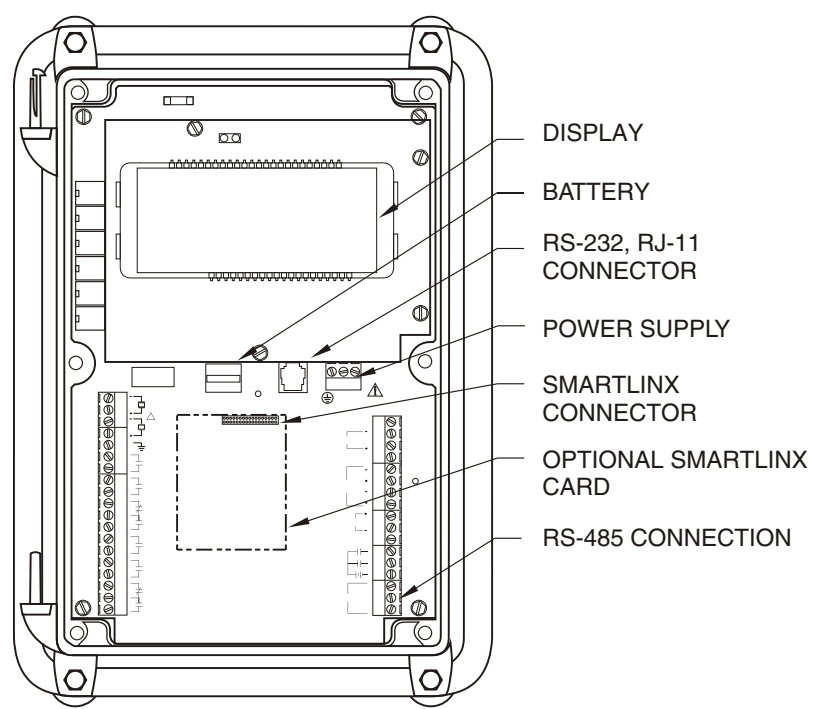
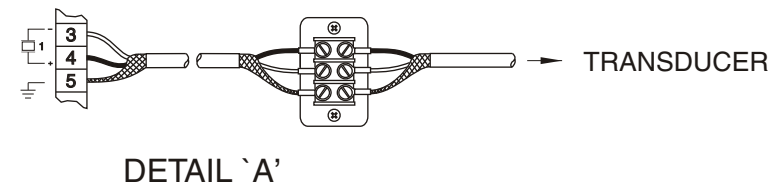
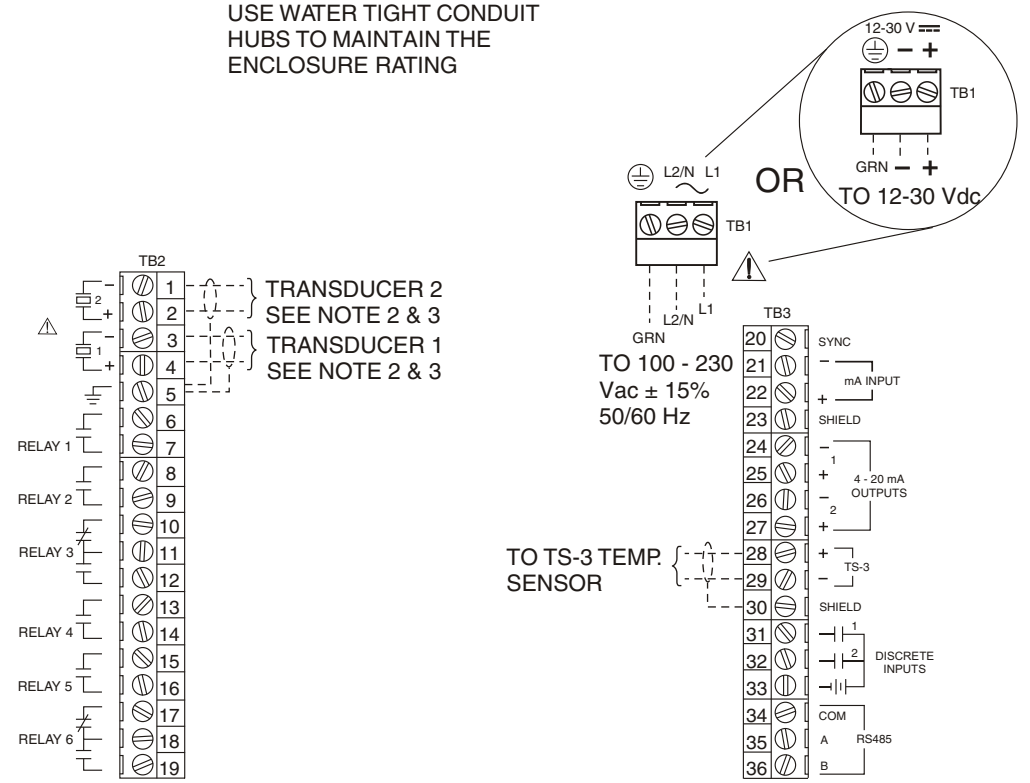


SUITABLE LOCATION FOR CONDUIT ENTRANCES USE WATER TIGHT CONDUIT HUBS TO MAINTAIN THE ENCLOSURE RATING



NOTES:

- 1) DIMENSIONS ARE mm, () DENOTES INCHES.
- 2) ---- DENOTES WIRING BY CUSTOMER. ALL WIRING MUST BE DONE IN CONJUNCTION WITH APPROVED CONDUIT, FITTINGS, AND BOXES ALSO IN ACCORDANCE WITH ALL GOVERNING REGULATIONS.
- 3) RUN THE TRANSDUCER CABLE IN A GROUNDED METAL CONDUIT, SEPARATE FROM OTHER WIRING. (EXCEPT TS-3 IF APPLICABLE) DO NOT USE A COAXIAL TRANSDUCER CABLE EXTENSION. DO NOT CONNECT THE SHIELD AND WHITE TRANSDUCER WIRES TOGETHER. REFER TO DETAIL 'A' FOR TRANSDUCER CABLE EXTENSIONS.
- 4) ONLY TS-3 TEMP. SENSORS ARE TO BE USED. DO NOT JUMPER TERMINALS IF TS-3 IS NOT USED.
- 5) WHEN MOUNTING TWO OR MORE UNITS IN THE SAME AREA, SYNCHRONIZE THE UNITS BY INTERCONNECTING THE SYNC TERMINALS. (TB3 20 - SYNC).
- 6) REFER TO SPECIFIC SMARTLINX MANUAL IF MODULE IS USED.
- 7) REFER TO INSTRUCTION MANUAL FOR SPECIFIC CONNECTION OF EACH TYPE OF COMMUNICATIONS. MAXIMUM DISTANCE BETWEEN UNITS AND CUSTOMER DEVICE IS 3 m (9.8 FT) FOR RS-232 AND 1200 m (4000 FT) FOR RS-485.
- 8) FOR FURTHER INFORMATION REFER TO THE APPROPRIATE INSTRUCTION MANUAL OR CONTACT YOUR SIEMENS MILLTRONICS REPRESENTATIVE.



WHEN INSTALLING A NEW SYSTEM IT IS RECOMMENDED USING SCREENED, TWISTED PAIR CABLE, IF AN EXTENSION IS REQUIRED.

USE DIMENSIONS ONLY - DO NOT SCALE	0	FOR CONSTRUCTION	RPC	SM	SEPT 25/03
DIMENSIONS ARE IN INCHES	Rev.	Revision / ECN Description	Drawn	Appr.	Date
Third Angle Projection	Product Group ULTRASONICS	Tolerance Unless Otherwise Noted: UOS 1 Place Decimal ± 0.03 2 Place Decimal ± 0.01 3 Place Decimal ± 0.002	Scale: NTS	Size: B	
FOR INTERNAL USE ONLY	Date: 25 / SEPT / 03	TITLE: MULTIRANGER / HYDRORANGER 100 / 200 PANEL MOUNT OUTLINE AND CONNECTION DRAWING			
	Drawn: R. CLYSDALE	DRAWING No: 23650454			
	Checked: D. BARTOLI	Rev. 0			
	Approved: S. MILLIGAN	Sheet 1 Of 1			
Location: PETERBOROUGH	SIEMENS MILLTRONICS PROCESS INSTRUMENTS INC. Peterborough, Ontario, Canada	File No. 2365045400	Plot at: 1 : 1		