

Quick Start Manual • July 2009



English
Dansk
Deutsch
Ελληνικά
Español
Français
Italiano
Nederlands
Português
Suomi
Svenska

million
in one

pointek

CLS100

SIEMENS

Safety Guidelines: Warning notices must be observed to ensure personal safety as well as that of others, and to protect the product and the connected equipment. These warning notices are accompanied by a clarification of the level of caution to be observed.

Qualified Personnel: This device/system may only be set up and operated in conjunction with this manual. Qualified personnel are only authorized to install and operate this equipment in accordance with established safety practices and standards.

Unit Repair and Excluded Liability:

- The user is responsible for all changes and repairs made to the device by the user or the user's agent.
- All new components are to be provided by Siemens Milltronics Process Instruments Inc.
- Restrict repair to faulty components only.
- Do not reuse faulty components.

Warning: Cardboard shipping package provides limited humidity and moisture protection. This product can only function properly and safely if it is correctly transported, stored, installed, set up, operated, and maintained.

This product is intended for use in industrial areas. Operation of this equipment in a residential area may cause interference to several frequency based communications.

Note: Always use product in accordance with specifications.

Copyright Siemens Milltronics Process Instruments Inc. 2009. All Rights Reserved

This document is available in bound version and in electronic version. We encourage users to purchase authorized bound manuals, or to view electronic versions as designed and authored by Siemens Milltronics Process Instruments Inc. Siemens Milltronics Process Instruments Inc. will not be responsible for the contents of partial or whole reproductions of either bound or electronic versions.

Disclaimer of Liability

While we have verified the contents of this manual for agreement with the instrumentation described, variations remain possible. Thus we cannot guarantee full agreement. The contents of this manual are regularly reviewed and corrections are included in subsequent editions. Please check the website shown below for the latest manual revisions. We welcome all suggestions for improvement.

Technical data subject to change.

MILLTRONICS® is a registered trademark of Siemens Milltronics Process Instruments Inc.

Contact SMPI Technical Publications at the following address:

Technical Publications
Siemens Milltronics Process Instruments Inc.
1954 Technology Drive, P.O. Box 4225
Peterborough, Ontario, Canada, K9J 7B1
Email: techpubs.smpi@siemens.com

European Authorized Representative

Siemens AG
Industry Sector
76181 Karlsruhe
Deutschland

- For a selection of Siemens Milltronics level measurement manuals, go to: **www.siemens.com/processautomation**. Under Process Instrumentation, select *Level Measurement* and then go to the manual archive listed under the product family.
- For a selection of Siemens Milltronics weighing manuals, go to: **www.siemens.com/processautomation**. Under Weighing Technology, select *Continuous Weighing Systems* and then go to the manual archive listed under the product family.

Pointek CLS100 Quick Start Manual

Notes:

- Use Pointek CLS100 only in the manner outlined in this instruction manual.
- For applications in areas classified as Hazardous, observe any restrictions according to the relevant certificate.

Pointek CLS100 is a compact 2-wire capacitance switch for level detection in constricted spaces, interfaces, solids, liquids, slurries, and foam. The stainless steel process connection versions (7ML5501) have an effective process temperature range of -30 to +100 °C (-22 to +212 °F) and the synthetic process connection version (7ML5610) has an effective process temperature range of -10 to +100 °C (+14 to +212 °F).

Pointek CLS100 versions:

- **Integral cable** version with stainless steel process connection and probe options of PPS or PVDF
- **Enclosure** version (thermoplastic polyester enclosure) with stainless steel process connection in combination with a PPS or PVDF probe
- **Enclosure** version (thermoplastic polyester enclosure) with fully synthetic process connection combined with a PPS probe

Features

- NPT, R (BSPT), G (BSPP) process connections
- Corrosion resistant construction, PPS, and 316 stainless steel (optional PVDF wetted parts)
- Non-polarized, solid-state switch or relay output (enclosure version with fully synthetic process connection only)

Applications

- Liquids, slurries, powders, granules, and solids
- Foods and pharmaceuticals
- Chemical and petrochemical
- Hazardous areas

Pointek CLS100 approval types:

Stainless steel process connection (integral cable or enclosure version) (7ML5501)

- General: CE, CSA, FM
- Marine: Lloyd's Register of Shipping, categories ENV1, ENV2, and ENV5
- Dust Ignition Proof (barrier required): CSA/FM Class II and III, Div. 1, Groups E, F, G
- Intrinsically Safe (barrier required): CSA/FM Class I, II and III, Div. 1, Groups A, B, C, D, E, F, G T4 ATEX II 1 GD 1/2GD EEx ia IIC T4 to T6 T107 °C
- Overfill protection: WHG (Germany)
- C-TICK (Australia)

Fully synthetic process connection (enclosure version only) (7ML5610)

- General: CE, CSA, FM
- Marine: Lloyd's Register of Shipping, categories ENV1, ENV2, and ENV5
- Dust Ignition Proof: ATEX II 1D 1/3D T107 °C
- Overfill protection: WHG (Germany)
- C-TICK (Australia)

Power

Model	Power Requirements
<ul style="list-style-type: none"> Fully synthetic process connection (enclosure version), General Purpose/Dust Ignition Proof 	12–33 V DC
<ul style="list-style-type: none"> Stainless steel process connection (integral cable version) 	10–30 V DC (Intrinsically Safe Application) 12–33 V DC (Non-intrinsically Safe Application)
<ul style="list-style-type: none"> Stainless steel process connection (enclosure version) 	10–30 V DC (Intrinsically Safe Application) 12–33 V DC (Non-intrinsically Safe Application)

Alarm Output(s):

	CLS100 (Fully synthetic process connection, enclosure version)	CLS100 (Stainless steel process connection, integral cable or enclosure version)
<ul style="list-style-type: none"> mA 	4/20 mA or 20/4 mA 2-wire current loop detection	
<ul style="list-style-type: none"> solid state switch 	not available	30 V DC/30 V AC 82 mA max. Limited to 30 V DC/16 V AC 82 mA max. in wet locations
<ul style="list-style-type: none"> relay output - max. switching voltage - max. switching current - max. switching power 	60 V DC or 30 V AC; limited to 30 V DC/16 V AC in wet locations 1 A 60 W	not available
<ul style="list-style-type: none"> intrinsically safe 	not available	30 V DC max. (suitable barrier required)
<ul style="list-style-type: none"> repeatability 	2 mm (0.08")	



WARNING: A wet location is a location where water or other conductive liquid may be present and is likely to increase the risk of electric shock.

Environmental

- ambient temperature:
 - 316L SS process connection (integral cable or enclosure version) -30 to +85 °C (-22 to +185 °F)
 - fully synthetic process connection (enclosure version) -10 to +85 °C (+14 to +185 °F)
- ingress protection:
 - Enclosure version Type 4 / NEMA 4 / IP68
 - Integral Cable version Type 4 / NEMA 4 / IP65
- installation category: I
- pollution degree: 4

Mechanical

- common probe/wetted parts: PPS process connection and PPS sensor; or AISI 316L process connection and PPS or PVDF sensor.
[Standard Metal process connection seal is FKM (e.g. Viton). FFKM (e.g. Kalrez) is optional].
- **cable version (SS process connection):**
 - integral cable body: 316L stainless steel
 - 316L stainless steel process connection: 3/4" NPT or R 1" (BSPT), or G 1" (BSPP)
 - 1 m (3.3 ft) of 4 conductor, 22 AWG, shielded, polyester jacket
- **enclosure version (SS process connection):**
 - housing: VALOX[®] (thermoplastic polyester)
 - lid: transparent thermoplastic polycarbonate (PC)
 - 316L stainless steel process connection: 3/4" NPT, or R 1" (BSPT), or G 1" (BSPP)
 - internal 5-point terminal block
 - 1/2" NPT wiring entrance (optional M20 x 1.5" cable entry)
- **enclosure version (fully synthetic process connection):**
 - housing: VALOX[®] (thermoplastic polyester)
 - lid: transparent thermoplastic polycarbonate (PC)
 - fully synthetic process connection: 3/4" NPT or R 1" (BSPT)
 - internal removable 5-point terminal block
 - 1/2" NPT wiring entrance (optional M20 x 1.5" cable entry)

1. [®] VALOX is a registered trademark of the General Electric Company.

Process Conditions

- relative dielectric constant (ϵ_r): 1.5 minimum
- temperature:
 - 30 to +100 °C (–22 to +212 °F) (enclosure version with stainless steel process connection)
 - 10 to +100 °C (+14 to +212 °F) (enclosure version with fully synthetic process connection)
- pressure (vessel): –1 to 10 bar (146 psi) gauge, nominal

Approvals

- CE
- CSA
- ATEX
- C-TICK (Australia)
- FM
- WHG overfill protection (Germany)
- Lloyd's Register of Shipping, categories ENV1, ENV2, and ENV5

Safety Guidelines

Warning notices must be observed to ensure personal safety as well as that of others, and to protect the product and the connected equipment. Warning notices are accompanied by a clarification of the level of caution to be observed.



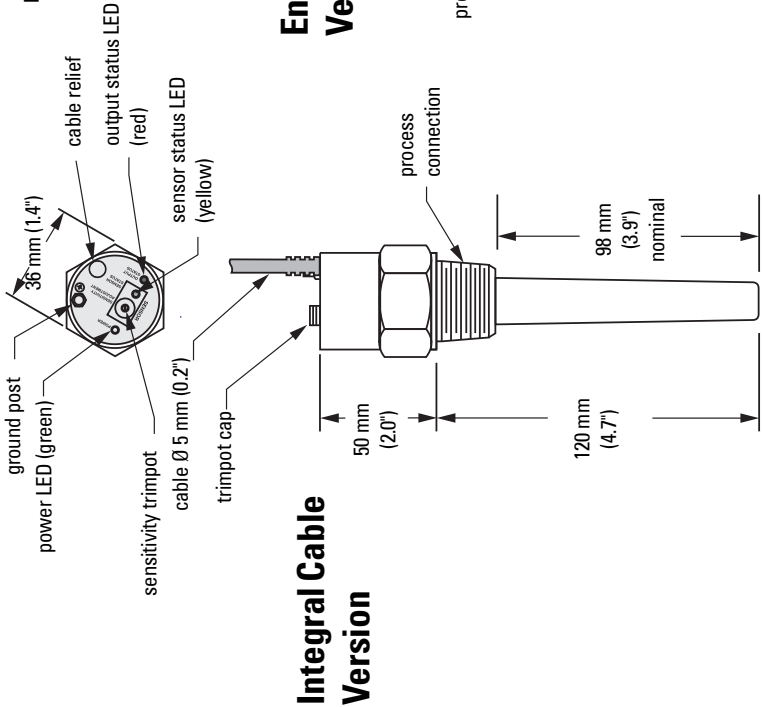
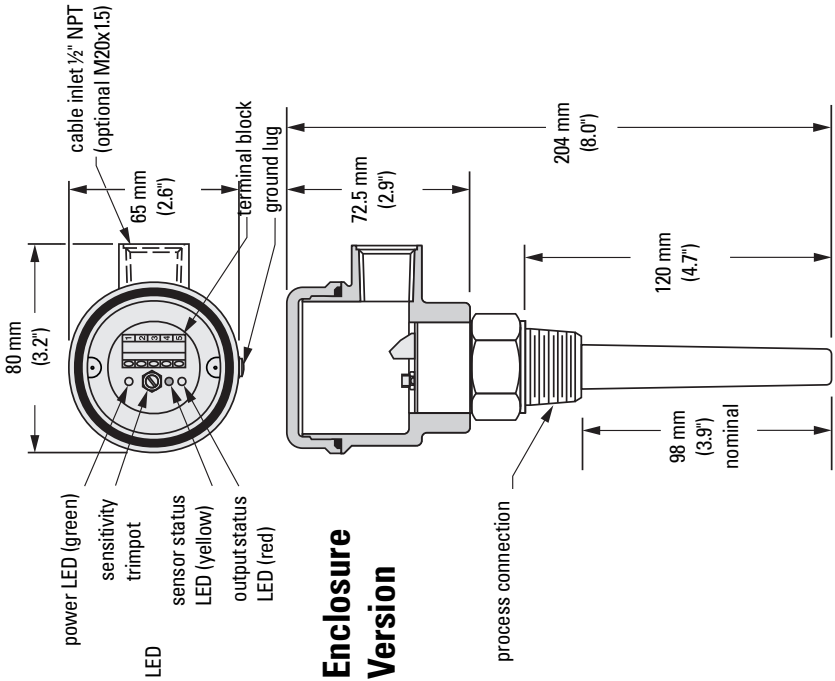
This product can only function properly and safely if it is correctly transported, stored, installed, set up, operated, and maintained.



Maintenance

The Pointek CLS100 requires no maintenance or cleaning.

Dimensions



Mounting

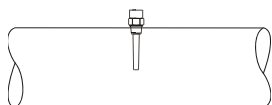
Location

Notes

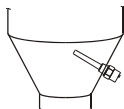
- Installation shall only be performed by qualified personnel and in accordance with local governing regulations.
- This product is susceptible to electrostatic shock. Follow proper grounding procedures.
- When using multiple units, sensors must be 100 mm apart. Mount diagonally if vertical space is restricted.

Pointek CLS100 is normally mounted into the vessel top (high detection alarm) or through the tank wall at the detection level (high or low detection alarm).

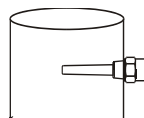
Vertical



Angle



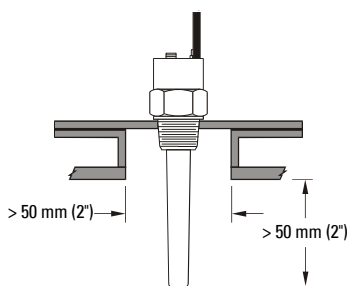
Horizontal



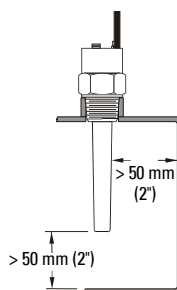
Installation Features and Restrictions

Note: Mounting diagrams apply to all versions.

Standpipes



Wall Restriction

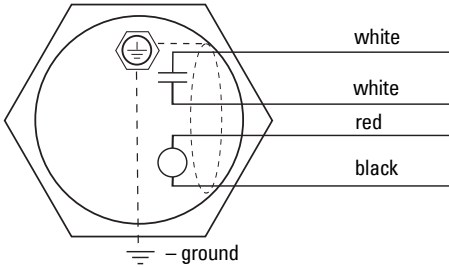


Process Cautions

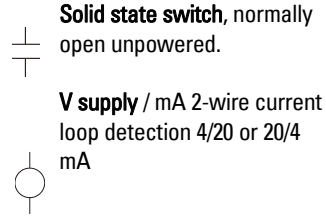
- Keep out of path of falling material.
- Consider material surface configuration when installing unit.
- Protect probe from falling material.
- Avoid areas where material buildup occurs.

Connections

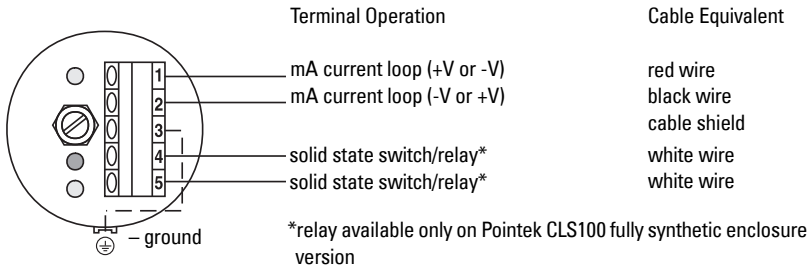
Cable Version



Symbols



Enclosure Version



Note: The mA current loop can be wired in either polarity to determine high or low level operation as shown in the examples beginning on page 9.

Alarm Output Status

Alarm Status	Covered Yellow LED ON	Uncovered Yellow LED OFF	Power Connection
high (fail-safe)	red LED OFF 4mA SSS ¹ = open	red LED ON 20mA SSS = closed	black wire + V
high (non fail-safe)	red LED ON 20mA SSS = closed	red LED OFF 4mA SSS = open	red wire + V
low (fail-safe)	red LED ON 20mA SSS = closed	red LED OFF 4mA SSS = open	red wire + V
low (non fail-safe)	red LED OFF 4mA SSS = open	red LED ON 20mA SSS = closed	black wire + V

1. Solid State Switch (SSS)

Definitions

The alarm conditions below can be detected in a fail-safe or non fail-safe mode.

Fail Safe

- The sensor connection arrangement is fail-safe if the output status is in high alarm status when power fails; open contact state prevents material overflow.
- The sensor connection arrangement switches to the fail-safe low alarm status when power fails; this open contact state prevents material running dry.

High Alarm

- When material reaches a maximum process level, covering the probe.

Low Alarm

- When material reaches a minimum process level, uncovering the probe.

Power / Alarm Wiring



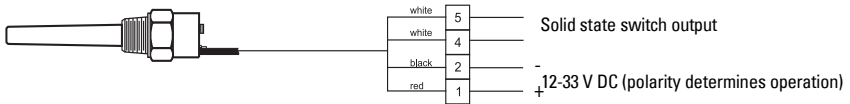
WARNING: The DC input terminal shall be supplied from a source providing electrical isolation between the input and output, in order to meet the applicable safety requirements of IEC 61010-1.

Notes:

- For terminal block equivalents, see *Enclosure Version* on page 7.
- The solid-state output should only be used in circuits where the current is limited by a proper load.
- Due to the limited switching capabilities of the solid-state switch component, an auxiliary relay must be applied when switching high-current/high-voltage apparatus.

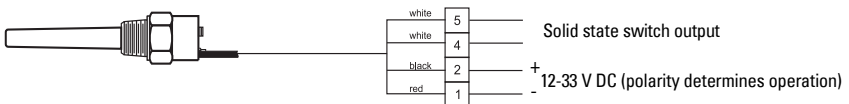
Non Intrinsically Safe Version

LOW Alarm



Note: numbers refer to enclosure versions. See p. 7

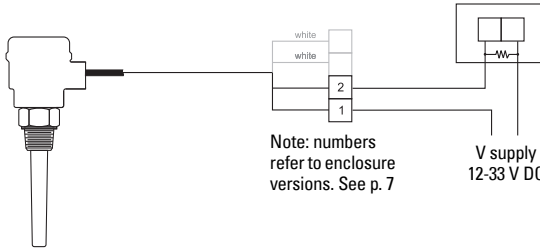
HIGH Alarm



Note: numbers refer to enclosure versions. See p. 7

4 / 20 mA Loop Alarm Application

Fully Synthetic Process Connection (Enclosure Version)

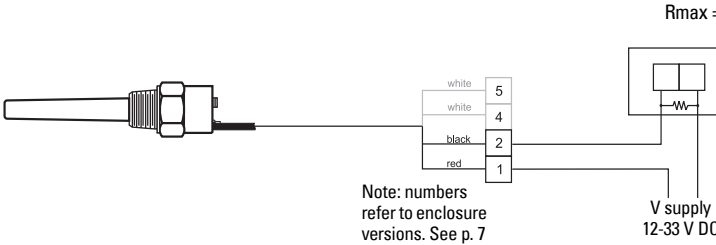


Note: numbers refer to enclosure versions. See p. 7

$$R_{max} = \frac{V_{supply} - 12 V}{20 \text{ mA}}$$

For example, 250Ω gives 1 or 5 V DC switch voltage to PLC.

Stainless Steel Process Connection (Integral Cable or Enclosure Version)



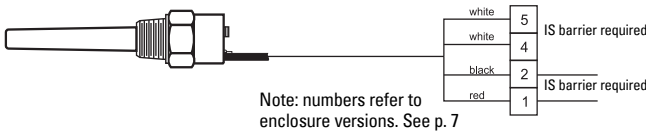
Note: numbers refer to enclosure versions. See p. 7

$$R_{max} = \frac{V_{supply} - 12 V}{20 \text{ mA}}$$

For example, 250Ω gives 1 or 5 V DC switch voltage to PLC.

Intrinsically Safe Version only

Solid State Switch Application

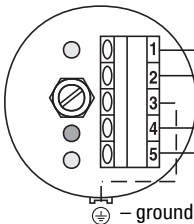


Note: numbers refer to enclosure versions. See p. 7

Solid state switch output

V supply
10-30 V DC

Enclosure Version* and Fully Synthetic Process Connection Version**



Terminal Operation

- 1 mA current loop (+V or -V)
- 2 mA current loop (-V or +V)
- 3 relay**/solid state switch*
- 4 relay**/solid state switch*
- 5 relay**/solid state switch*

cable equiv.

- red wire
- black wire
- cable shield
- white wire

*Solid State Switch

Max. switching voltage: 30 V DC or 30 V AC
Max. switching current: 82 mA

**Relay Contact Load

Max. switching voltage: 30 V AC or 60 V DC; limited to 35 V DC or 16 V AC max. in wet locations.
Max. switching current: 1 A
Max. switching power: 60 W



WARNING: A wet location is a location where water or other conductive liquid may be present and is likely to increase the risk of electric shock.

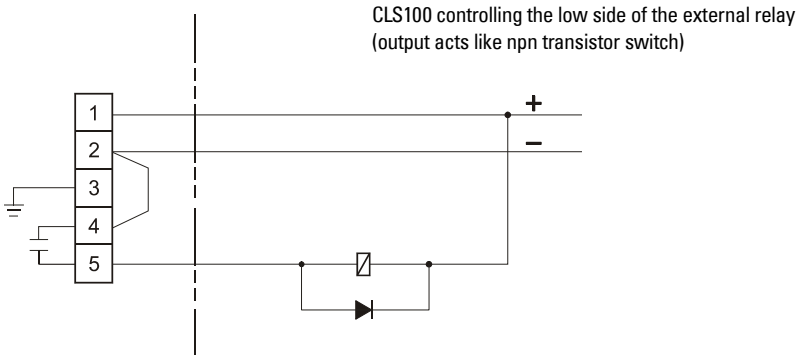
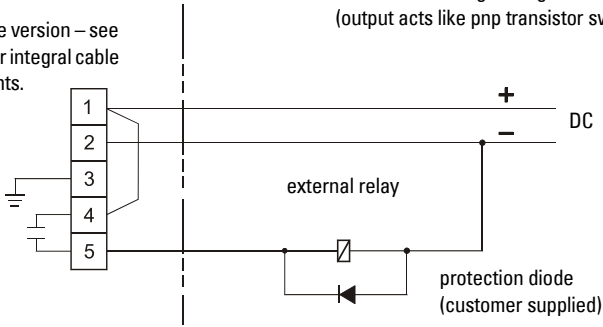
Protection Diodes

Always use a protection diode when driving an external relay with the solid state switch or relay contact. This prevents possible switch damage due to inductive spikes generated by the relay coil.

Orient the diode based on the current flow.

DC circuit with Protection Diode

enclosure version – see page 7 for integral cable equivalents.



Operation

Start Up

After the CLS100 is properly mounted and wired, apply power to the unit. The green LED lights to indicate the unit is powered and operational.

LED Indicators

Yellow = sensor status

- **ON** indicates contact with the process material (material capacitance is greater than the set point).
- **OFF** indicates when the sensor is out of contact with the process material (material capacitance is less than the set point).

Red = output status

- **ON** indicates the mA loop alarm and solid state switch contact status. Refer to *Alarm Output Status* on page 7.

Green = power

- **ON** indicates the CLS100 is properly powered.

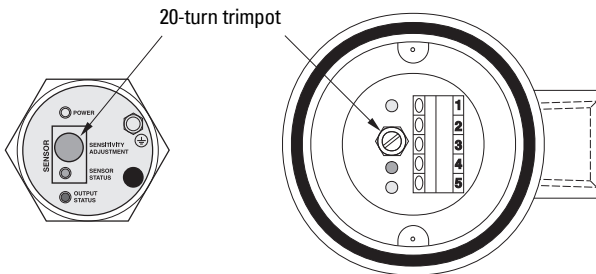
Alarm Output

Setpoint Adjustment

As a guide to adjusting the alarm set point for reliable and accurate detection of the process material, we have classified the materials and applications into three cases.

Follow the setup procedure associated with the case outline describing your application.

Please note that sensitivity of the unit can be adjusted by the user as required.



Case 1: General Applications

Characteristics

- dry solids
- low viscosity liquids

Preparation

- Ensure that the green LED is **ON**.
- If yellow LED is **ON**, turn the trimpot CCW (counter clockwise) until the yellow LED goes **OFF**; otherwise go to step 1 below.

Configuration

1. With sensor uncovered and a minimum 50 mm free space all around, turn the trimpot CW (clockwise) until the yellow LED just goes **ON**.
2. Turn the trimpot CCW until the yellow LED just goes **OFF**.

Case 2: Demanding Applications,

Characteristics

- hygroscopic / wet solids
- high viscosity and high conductivity liquids

Preparation

- Ensure that the green LED is **ON**.
- Turn the trimpot CCW (counter clockwise), until the yellow LED goes **OFF**.

Configuration

1. Adjust the material level of the process so that the sensor is immersed. The yellow LED should be **ON**.
2. Adjust the material level of the process so that the sensor is uncovered, but retains significant (as much as possible) material buildup on sensor.
3. Adjust the trimpot CCW until yellow LED goes **OFF**. To get the true feel for the correct position, please adjust the trimpot CW then CCW several times to ensure that the yellow LED is **OFF**. (This adjustment is sensitive, and we recommend this practice exercise so you can fine tune the trimpot movement until the yellow LED L1 turns **OFF** with minimal adjustment.)

Case 3: Interface detection

Characteristics

- liquid A / liquid B, foam / liquid

Preparation

- Ensure that the green LED is **ON**.
- Turn the trimpot CCW (counterclockwise) until the yellow LED goes **OFF**.

Configuration

1. Immerse the sensor in the material that has the lowest dielectric constant. The yellow LED should be **ON**.
2. Adjust the trimpot CCW until the yellow LED goes **OFF**.
3. Immerse the sensor in the material that has the highest dielectric constant; the yellow LED should come **ON**.

Note: After completing the setup, replace the trimpot cap on the cable version, or the lid on the enclosure version. The unit is now in service, providing level detection of your process.

Stainless Steel Process Connection (Integral Cable or Enclosure Version), Intrinsically Safe

Symptom	Cause	Action
Green LED off	Proper power not applied to device Power range must equal 12 to 33 V DC at all times (10 to 30 V DC for IS versions)	Check power source Minimum 12 V DC on the terminals when the signal current is 20 mA (minimum 10 V DC for IS versions)
Green LED off, with proper supply	Defective component in device	Contact distributor
Green LED on and Yellow LED on while not responding to product and/or adjustment	Proper power not applied to device. Power range must equal 12 to 33 V DC at all times (10 to 30 V DC for IS versions)	Check power source Minimum 12 V DC on the terminals when the signal current is 20 mA (minimum 10 V DC for IS versions)
Hysteresis region too great	Proper power not applied to device. Power range must equal 12 to 33 V DC at all times (10 to 30 V DC for IS versions)	Check power source. Minimum 12 V DC on the terminals when the signal current is 20 mA (minimum 10 V DC for IS versions)
Unequal current in red and black wire	Loop circuitry is DC biased w.r.t. ground Black wire exceeds ± 36 V DC against Ground	Correct loop circuitry Remove cause of voltage on the red wire and/or bias
Yellow LED won't come on or off	Defective component in device	Contact distributor
Too much current in loop	Supply voltage too high	Ensure power range equals 12 to 33 V DC at all times (10 to 30 V DC for IS versions)
Red LED lights opposite to the Yellow LED when this is not meant to happen	Incorrect polarity on red and black loop terminals	Reverse polarity on loop terminals
Red and Yellow LEDs are blinking fast	Proper power not applied to device. Power range must equal 12 to 33 V DC at all times (10 to 30 V DC for IS versions)	Check power source Minimum 12 V DC on the terminals when the signal current is 20 mA (minimum 10 V DC for IS versions)
Red and Yellow LEDs are blinking while switching	Proper power not applied to device. Power range must equal 12 to 33 V DC at all times (10 to 30 V DC for IS versions)	Check power source Minimum 12 V DC on the terminals when the signal current is 20 mA (minimum 10 V DC for IS versions)

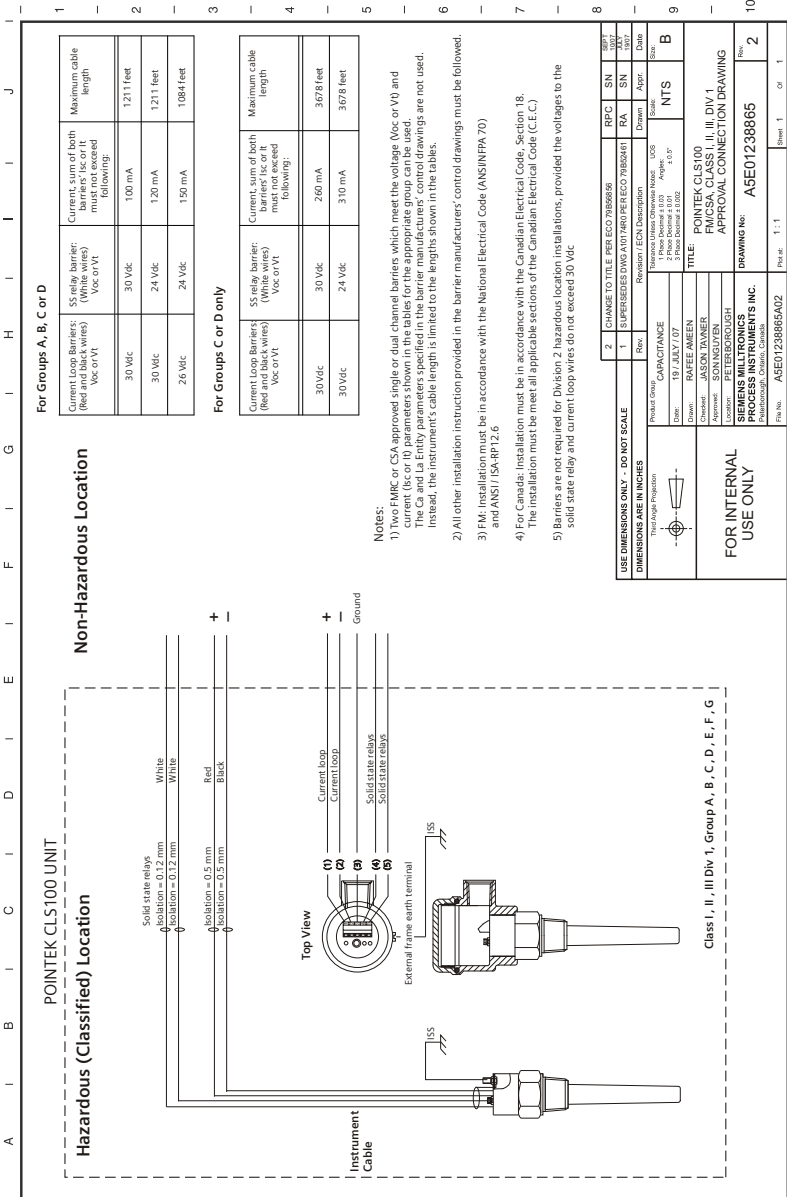
Solid state contact does not follow status Red LED	Defective component in device. Probable cause: wrong wiring in this circuit.	Contact distributor
Yellow LED is lit while probe is not covered	May indicate significant product buildup.	Rotate sensitivity potentiometer further CCW (counter clockwise) Check sensor tip

Fully Synthetic Process Connection (Enclosure Version)

Symptom	Cause	Action
Green LED off	Proper power not applied to device Power range must equal 12 to 33 V DC at all times (10 to 30 V DC for IS versions)	Check power source Minimum 12 V DC on the terminals when the signal current is 20 mA (minimum 10 V DC for IS versions)
Green LED off, with proper supply	Defective component in device. Connector came loose	Contact distributor Refasten connector
Green LED on and Yellow LED on while not responding to product and/or adjustment	Proper power not applied to device. Power range must equal 12 to 33 V DC at all times (10 to 30 V DC for IS versions)	Check power source Minimum 12 V DC on the terminals when the signal current is 20 mA (minimum 10 V DC for IS versions)
Hysteresis region too great	Proper power not applied to device Power range must equal 12 to 33 V DC at all times (10 to 30 V DC for IS versions)	Check power source Minimum 12 V DC on the terminals when the signal current is 20 mA (minimum 10 V DC for IS versions)
Unequal current in red and black wire	Loop circuitry is DC biased w.r.t. ground Black wire exceeds ± 36 V DC against Ground	Correct loop circuitry Remove cause of voltage on the red wire and/or bias
Yellow LED won't come on or off	Defective component in device	Contact distributor
Too much current in loop	Supply voltage too high	Ensure power range equals 12 to 33 V DC at all times (10 to 30 V DC for IS versions)
Red LED lights opposite to the Yellow LED when this is not meant to happen	Incorrect polarity on red and black loop terminals	Reverse polarity on loop terminals
Red and Yellow LEDs are blinking fast	Proper power not applied to device Power range must equal 12 to 33 V DC at all times (10 to 30 V DC for IS versions)	Check power source Minimum 12 V DC on the terminals when the signal current is 20 mA (minimum 10 V DC for IS versions)

Red and Yellow LEDs are blinking while switching	Proper power not applied to device Power range must equal 12 to 33 V DC at all times (10 to 30 V DC for IS versions)	Check power source Minimum 12 V DC on the terminals when the signal current is 20 mA (minimum 10 V DC for IS versions)
Relay contact does not follow status Red LED	Proper power not applied to device Power range must equal 12 to 33 V DC at all times (10 to 30 V DC for IS versions) Defective component in device.	Check power source Minimum 12 V DC on the terminals when the signal current is 20 mA (minimum 10 V DC for IS versions) Contact distributor
Yellow LED is lit while probe is not covered	May indicate significant product buildup.	Rotate sensitivity potentiometer further CCW (counter clockwise). Check sensor tip

Connection Diagram – Hazardous Location





www.siemens.com/processautomation

Siemens Milltronics Process Instruments Inc.
1954 Technology Drive, P.O. Box 4225
Peterborough, ON, Canada K9J 7B1
Tel: (705) 745-2431 Fax: (705) 741-0466
Email: techpubs.smpi@siemens.com

© Siemens Milltronics Process Instruments Inc. 2009
Subject to change without prior notice



Printed in Canada

Rev. 2.0