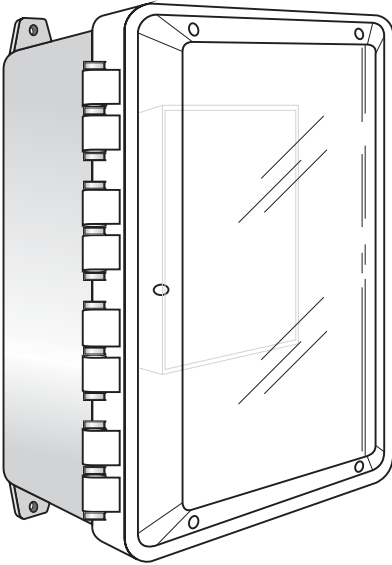


HEATED ENCLOSURE

Instruction Manual

April 2002



HEATED ENCLOSURE

Safety Guidelines

Warning notices must be observed to ensure personal safety as well as that of others, and to protect the product and the connected equipment. These warning notices are accompanied by a clarification of the level of caution to be observed.

Qualified Personnel

This device/system may only be set up and operated in conjunction with this manual. Qualified personnel are only authorized to install and operate this equipment in accordance with established safety practices and standards.

Warning: This product can only function properly and safely if it is correctly transported, stored, installed, set up, operated, and maintained.

Note: Always use product in accordance with specifications.

Copyright Siemens Milltronics Process Instruments Inc. 2002. All Rights Reserved

Disclaimer of Liability

This document is available in bound version and in electronic version. We encourage users to purchase authorized bound manuals, or to view electronic versions as designed and authored by Siemens Milltronics Process Instruments Inc. Siemens Milltronics Process Instruments Inc. will not be responsible for the contents of partial or whole reproductions of either bound or electronic versions.

While we have verified the contents of this manual for agreement with the instrumentation described, variations remain possible. Thus we cannot guarantee full agreement. The contents of this manual are regularly reviewed and corrections are included in subsequent editions. We welcome all suggestions for improvement.

Technical data subject to change.

MILLTRONICS® is a registered trademark of Siemens Milltronics Process Instruments Inc.

Contact SMPI Technical Publications at the following address:

Technical Publications
Siemens Milltronics Process Instruments Inc.
1954 Technology Drive, P.O. Box 4225
Peterborough, Ontario, Canada, K9J 7B1
Email: techpubs@milltronics.com

For the library of SMPI instruction manuals, visit our Web site: www.milltronics.com

Heated Enclosure

This manual provides you with the information required to install and operate your equipment safely and efficiently.

We always welcome suggestions and comments about manual content, design, and accessibility. Please direct your emails to techpubs@siemens-milltronics.com.




For more information about Siemens Milltronics level measurement instruments and products, go to our web site: www.siemens-milltronics.com.

Notes:

- Please read all sections before installing the Heated Enclosure.
- The Heated Enclosure is to be used only in the manner outlined in this instruction manual or protection by the equipment may be impaired.
- Information in this manual applies to Heated Enclosure operation only. Please refer to level instrument documentation for operation information.

Manual Symbols

Please familiarize yourself with the following symbols and how they are used in the manual.

	alternating current
	protective conductor terminal
	warning (refer to instructions)

Introduction

The Siemens Milltronics Heated Enclosure is suitable for almost all indoor/outdoor applications. Designed to resist wet and dirty conditions, it is particularly effective for condensation control.

The impact resistant enclosure eliminates dents, weathers well, and is highly resistant to corrosives, acids, alkalines, and salts.

Enclosure Features

- hinge caps
- nonmetallic molded-in hinges
- rounded corners
- non-conductive – eliminates electrical shock risk
- sufficient interior space for wiring
- fully gasketed
- vertical and horizontal orientation
- clear cover

Specifications

Important:

- All specifications are subject to change without notice. Please ensure that any safety related information is confirmed with a qualified Siemens Milltronics representative.
- Approval information applies to Heated Enclosure only. Please refer to level instrument documentation for approvals information.

Power

- 115 Vac, 50/60Hz, 120 VA

Environmental

- indoor/outdoor
- altitude: 2000m max.
- ambient: – 40° to 50° C (–38° to 122° F)
- relative humidity: suitable for outdoors (Type 4X/NEMA 4X enclosure)
- installation category: II
- pollution degree: 4
- corrosion resistant

Thermostat

- opens at 14° C (57 ° F)
- closes at 7° C (45 ° F)

Note: Thermostat open and closed temperatures have a variability factor of +/- 5° (C/F)

Vertical Enclosure Dimensions

- W: 420 mm (16.5")
- H: 370 mm (14.5")
- D: 215 mm (8.46")

Horizontal Enclosure Dimensions

- W: 370 mm (14.5")
- H: 420 mm (16.5")
- D: 215 mm (8.46")

Enclosure Cover

- clear, poly carbonate

Approvals

- NEMA 1, 3, 3S, 4, 4X, 12, 13
- Listed per UL 50 enclosures for electrical equipment
- CSA certified
- JIC compliant

Installation

Notes:

- Installation must only be performed by qualified personnel, and in accordance with local governing regulations.
- This product is susceptible to electrostatic shock. Follow proper grounding procedures.
- The non-metallic enclosure does not provide grounding between conduit connections. Use grounding type bushings and jumpers.
- Installation information applies to Heated Enclosure only. Please refer to level instrument documentation for installation guidelines.



All field wiring must have insulation suitable for at least 250 V.

Mounting

Mounting Locations

Recommended

- Mount enclosure at shoulder level, unless most interaction of the enclosed instrument is through a SCADA system
- Ensure easy access for instrument hand programmer is provided
- Mounting surface is free from vibration

Avoid

- Proximity to high voltage/current runs, contacts, SCR or variable frequency motor speed controllers

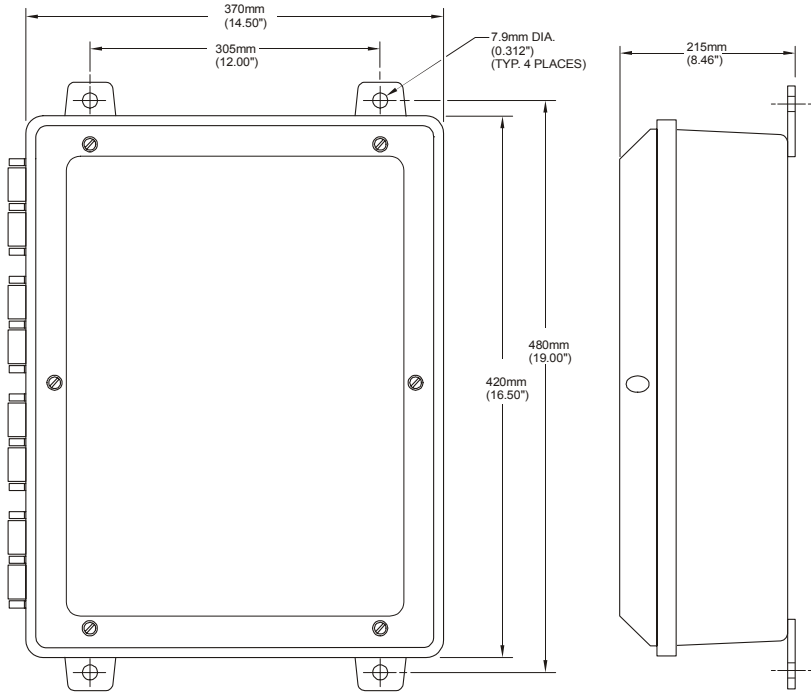
Mounting Instructions

Mount the unit where there is sufficient room to swing lid open and have clear access to contents.

Maintenance

The Heated Enclosure requires no internal cleaning. For external cleaning, wipe with damp cloth.

Vertical Mounting



Horizontal Mounting

Orientation changes, but enclosure dimensions are identical to vertical mount.

Note: For ease of use, mount with hinges at bottom so lid hangs open when unlatched.

Conduit Entry

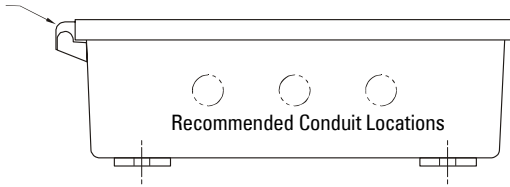
Conduit entry is required for Heated Enclosure power supply, level monitor power supply, and for transducer and communications wiring.

Important: Select conduit hole locations carefully. Place them where the wiring will not interfere with Heated Enclosure operations.

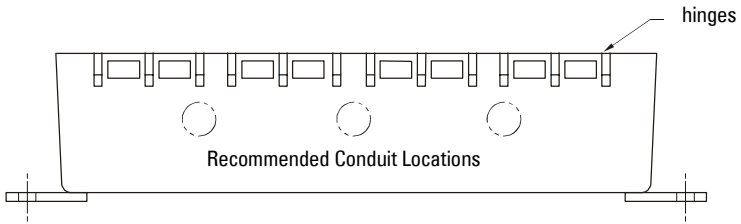
1. Drill the required entry holes. Make sure holes do not interfere with Heated Enclosure operation.
2. Attach conduit using only approved suitable sized hubs for watertight operation.

Vertical Mounting

hinges



Horizontal Mounting



Notes:

- Use conduit hubs certified/approved as Type 4X
- Non-metallic enclosure does not provide grounding between conduit connections. Use grounding type bushings and jumper wires.

Wiring

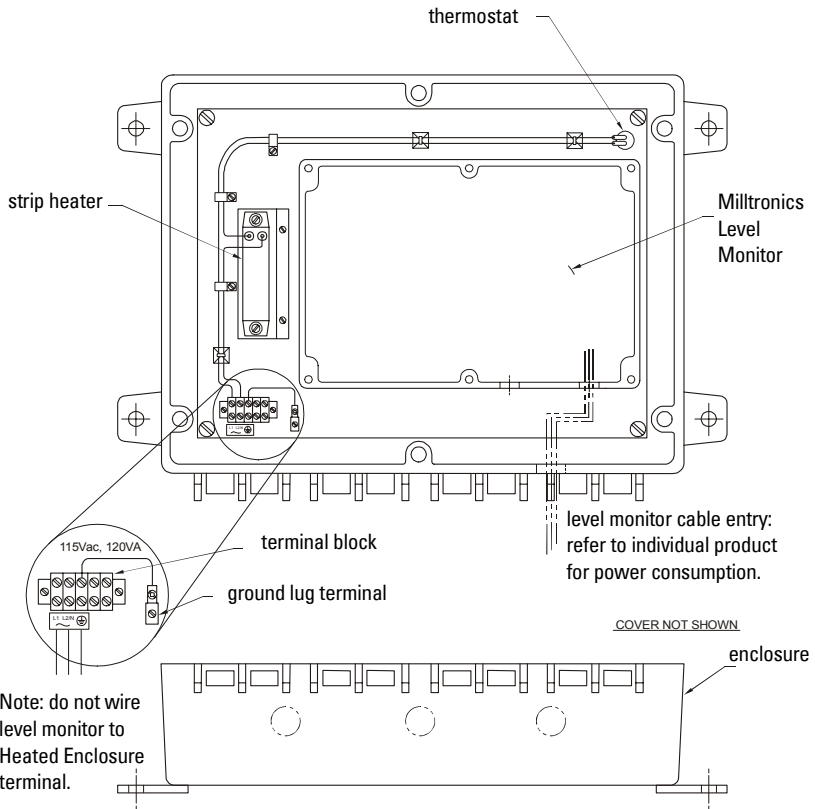
Warning: Hazardous voltage present on terminal during operation.

Notes:

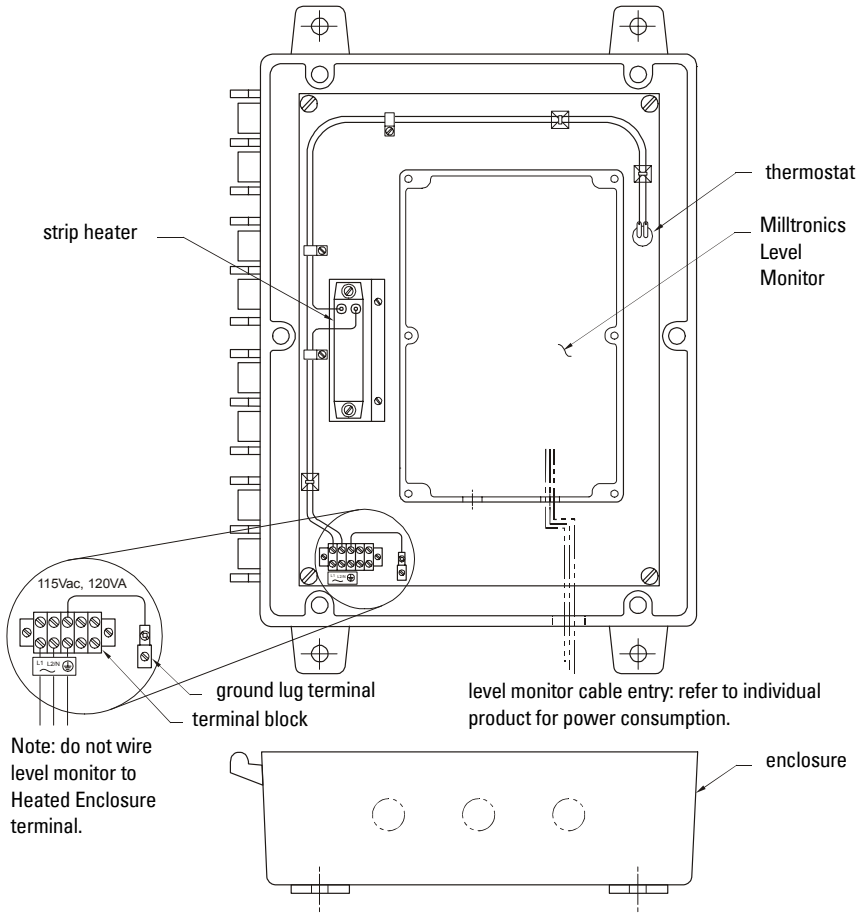
- Recommended torque on terminal clamping screws: 0.56 – 0.79 Nm (5–7 in/lbs)
- The equipment must be protected by a 15 A fuse, or a circuit breaker in the building installation.
- A circuit breaker or switch in the building installation, marked as the disconnect switch, must be in close proximity to the equipment and within easy reach of the operator.
- Do not connect level monitor to enclosure terminals.

Important: All safety and operating information in this manual apply to the Heated Enclosure only. Consult instrument manual for safety and operating instructions.

Vertical Mount



Horizontal Mount



Wiring

Notes

www.milltronics.com

MILLTRONICS

Siemens Milltronics Process Instruments Inc.
1954 Technology Drive, P.O. Box 4225
Peterborough, ON, Canada K9J 7B1
Tel: (705) 745-2431 Fax: (705) 741-0466
www.milltronics.com

© Siemens Milltronics Process Instruments Inc. 2002
Subject to change without prior notice.



Printed in Canada

Rev. 1.0