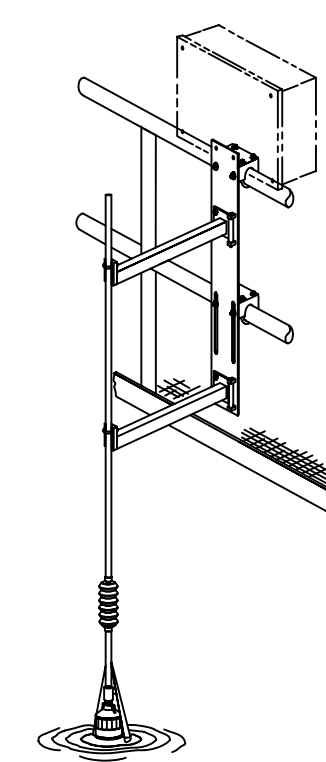


NOTES:

- 1) ALL DIMENSIONS ARE IN mm ( ) DENOTES INCHES.
- 2) RAILING BRACKETS ARE ADJUSTABLE FROM 432mm (17) TO 610mm (24) CENTER TO CENTER.
- 3) CUSTOMER SUPPLIED 3/4" STAINLESS STEEL OR GALVANIZED PIPE MINIMUM SCHEDULE 10. ALLOW ENOUGH LENGTH FOR THE TRANSDUCER FACE TO BE IMMERSSED 30mm TO 60mm (1.2 TO 2.4) INTO THE CLARIFIER LIQUID.
- 4) THE SKIMMER GUARD IS REQUIRED WHEN THERE ARE SURFACE SKIMMERS IN THE CLARIFIER THAT WILL CONTACT THE TRANSDUCER. IF A SKIMMER GUARD IS NOT USED CONNECT THE PIPE TO THE TRANSDUCER USING A 3/4" TO 1" NPT OR BSP REDUCER. (CPVC RECOMMENDED)
- 5) THE SKIMMER GUARD MUST BE PROPERLY ALIGNED WITH THE SKIMMER TO REDUCE WEAR AND STRESS ON THE JOINT. REFER TO INSTRUCTION MANUAL FOR ORIENTATION.
- 6) REFER TO THE INTERRANGER DPS 300 INSTRUCTION MANUAL OR YOUR NEAREST MILLTRONICS REPRESENTATIVE FOR FURTHER INFORMATION.
- 7) ALL HARDWARE SUPPLIED TO ASSEMBLE AND INSTALL THE MOUNTING BRACKET AND SKIMMER GUARD IS STAINLESS STEEL AND IN INCH SIZING.
- 8) ALL WIRING MUST BE DONE IN CONJUNCTION WITH APPROVED CONDUIT BOXES AND FITTINGS AND IN ACCORDANCE WITH ALL GOVERNING REGULATIONS.



| SUPPLIED PARTS           |  |
|--------------------------|--|
| <input type="checkbox"/> | MOUNTING ASSEMBLY C/W DPS 300 ELECTRONICS MOUNTING PLATE |
| <input type="checkbox"/> | TYPE A SKIMMER GUARD C/W NPT COUPLING & BOOT             |
| <input type="checkbox"/> | TYPE A SKIMMER GUARD C/W BSP COUPLING & BOOT             |
| <input type="checkbox"/> | TYPE B SKIMMER GUARD C/W NPT COUPLING & BOOT             |
| <input type="checkbox"/> | TYPE B SKIMMER GUARD C/W BSP COUPLING & BOOT             |

|        | SKIMMER CROSS SECTIONAL HEIGHT | GUARD REQUIRED | A   | B   |
|--------|--------------------------------|----------------|-----|-----|
| TYPE A | 0" TO 8"                       | 8"             | 20" | 10" |
| TYPE B | 8" TO 16"                      | 16"            | 35" | 19" |

|     |                      |        |        |           |
|-----|----------------------|--------|--------|-----------|
| 0   | FOR ISSUE            | RPC    | CAC    | NOV 17/98 |
| No. | REVISION DESCRIPTION | DWG BY | APPRO. | DATE      |

**CONFIDENTIAL**  
**IMPORTANT NOTICE**  
 THIS DOCUMENT REMAINS THE PROPERTY OF MILLTRONICS AND IS SUBJECT TO RECALL. IT MAY NOT BE COPIED, AND IS ISSUED AND CAN BE UTILIZED ONLY FOR SUCH LIMITED PURPOSES AS MAY SPECIFICALLY HAVE BEEN AUTHORIZED BY MILLTRONICS. IT IS TO BE MAINTAINED CONFIDENTIAL, SINCE IT MAY CONTAIN PROPRIETARY INFORMATION AND TRADE SECRETS OF MILLTRONICS OR OTHERS. THE ITEMS DEPICTED MAY THEMSELVES BE THE SUBJECT OF PATENTS, INDUSTRIAL DESIGN REGISTRATIONS OR COPYRIGHTS OF MILLTRONICS OR OTHERS, AND THE ISSUE OF THIS DRAWING DOES NOT IMPLY ANY LICENSE UNDER ANY SUCH RIGHTS.  
 COPYRIGHT MILLTRONICS  
 ALL RIGHTS RESERVED

DRAWING SCALE  
 NONE  
 DRAWN BY  
 R. CLYSDALE  
 CHECKED BY  
 D. KIELEC  
 APPROVED BY  
 A. CARLSON

TOLERANCES UNLESS OTHERWISE NOTED  
 1 PLACE DECIMAL ±0.030"  
 2 PLACE DECIMAL ±0.010"  
 3 PLACE DECIMAL ±0.002"  
 FRACTIONS ±0.030"  
 ANGLES ±0.5°  
 TITLE  
**INTERRANGER DPS 300  
 MOUNTING HARDWARE  
 OUTLINE DIAGRAM**

THIRD ANGLE PROJECTION

**MILLTRONICS**  
 PETERBOROUGH, ONTARIO, CANADA.

|                   |                             |        |
|-------------------|-----------------------------|--------|
| FILE No. 00128400 | DRAWING No. 0-8420012Z-DU-B | REV. 0 |
| PLOT AT 1=1       | SHEET 1 OF 1                |        |
| JOB No. PDF       |                             |        |