

The E, V and A Series solids flowmeters provide continuous in-line weighing of free flowing granular dry bulk solids. With weighing mechanics located externally, they are unaffected by corrosive, abrasive or hot materials. They will handle a wide range of product sizes, densities and fluidities including fine powders such as cement. They will operate at process temperatures to 230°C (450°F). They help to provide improved final product, increased operating efficiency and significant cost savings.

Operating with the appropriate ILE sensing head and a microprocessor based integrator package, the E, V and A Series flowmeters provide a display of flow rate, totalized flow and alarms. Outputs are 0/4-20mA proportional to rate, and contact closure for remote totalization.

Dry bulk solids enter the flow guide producing a mechanical deflection as they strike the flowmeter sensing plate before continuing through the process unhindered. The LVDT of the sensing head converts the horizontal force of the deflection into an electrical signal. The integrator processes this into a display of flow rate and integrated total weight. The weighing process is immune to the effect of product build up as only the horizontal force is measured.

E Series flowmeters are totally enclosed, with external weighing mechanics, enabling operation with corrosive, abrasive or hot materials. The A Series is designed for operation with aerated gravity conveyors, and include integral vents and baffles for air separation. For applications where available headroom is minimal, the V Series flowmeters provide the answer.



Product Features

- For specialised pre-feed applications
- Sensing element mounted outside process
- Flowrates from 0.2 to 300 t/h (0.2 to 330 STPH)
- Process temperatures to 232°C (450°F)

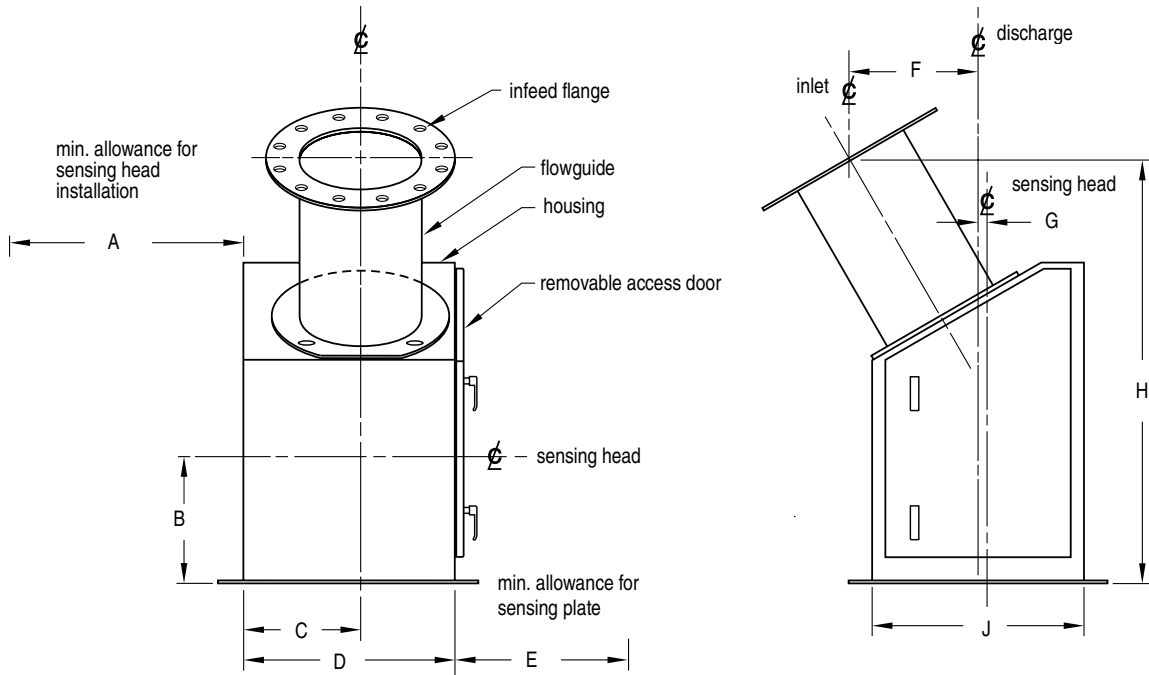
Technical Specifications

	E-Series	V-Series	A-Series
Application	General purpose for most pre-feed applications	Designed for applications requiring a compact construction	Suitable for flowrate measurements downstream an aerated gravity conveyor
Particle Size	Fine powder up to 25 mm (1")	Fine powder up to 25 mm (1")	Fine powder to fine granular
Product Temperature	-40 to 232°C (-40 to 450°F)	-40 to 232°C (-40 to 450°F)	-40 to 100°C (-40 to 212°F)
(optional)	-40 to 400°C (-40 to 750°F)	-40 to 400°C (-40 to 750°F)	
Ambient Temperature	-40 to 60°C (-40 to 140°F)	-40 to 60°C (-40 to 140°F)	-40 to 60°C (-40 to 140°F)
Accuracy	±1%, 33 to 100% of design capacity		
Repeatability	±0.2%		
Flowrate Range	E-V-A-40 0.2 to 40 t/h (0.2 to 44 STPH) E-V-A-300 20 to 300 t/h (22 to 330 STPH)		
Construction	Standard: Mild painted steel enclosure and 304 stainless steel sensing plate Optional: special coatings for flowguide and sensing plate		
Sensing heads	E-V-A-40: ILE-37 E-V-A-300: ILE-61		
Electronics	Milltronics Integrators: Compu-M, CompuFlo III		

E-V-A Flowmeters

Dimensions

E-Series



Common Measurements

Model	A	B	C	D	E	F	G	H	J
E-40 Series	686 mm (27")	356 mm (14")	254 mm (10")	457 mm (18")	610 mm (24")	279 mm (11")	25 mm (1")	914 mm (36")	457 mm (18")
E-300 Series	1042 mm (41")	457 mm (18")	305 mm (12")	610 mm (24")	610 mm (24")	330 mm (13")	38 mm (1.5")	1270 mm (50")	610 mm (24")

E-40 Inlet Sizes				
50 mm (2")	104 mm (4")	152 mm (6")	203 mm (8")	254 mm (10")

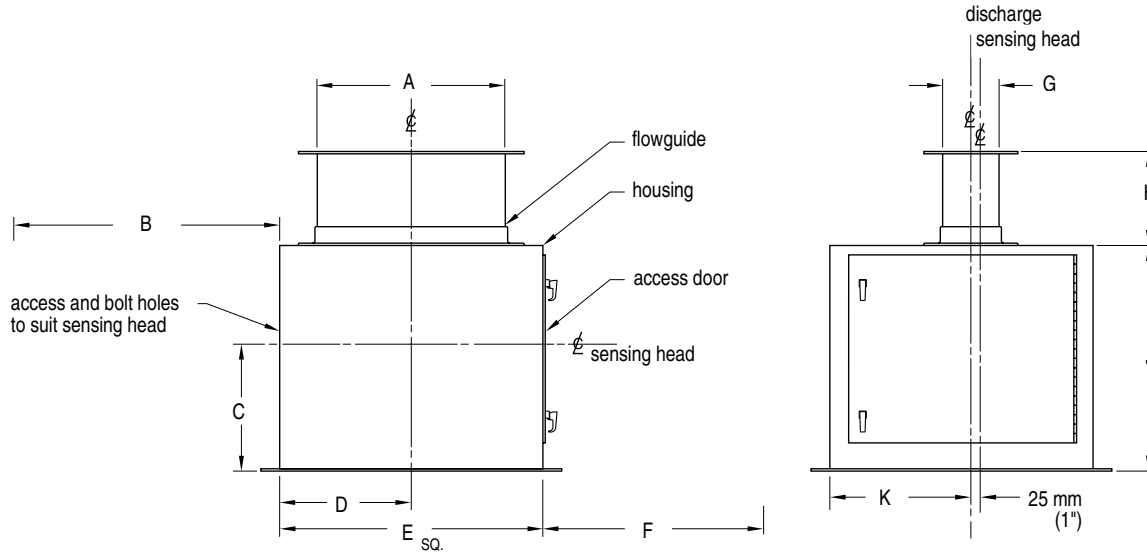
E-300 Inlet Sizes					
152 mm (6")	203 mm (8")	254 mm (10")	305 mm (12")	356 mm (14")	406 mm (16")

Inlet sizes are selected by full scale rate and bulk density calculations.

E-V-A Flowmeters

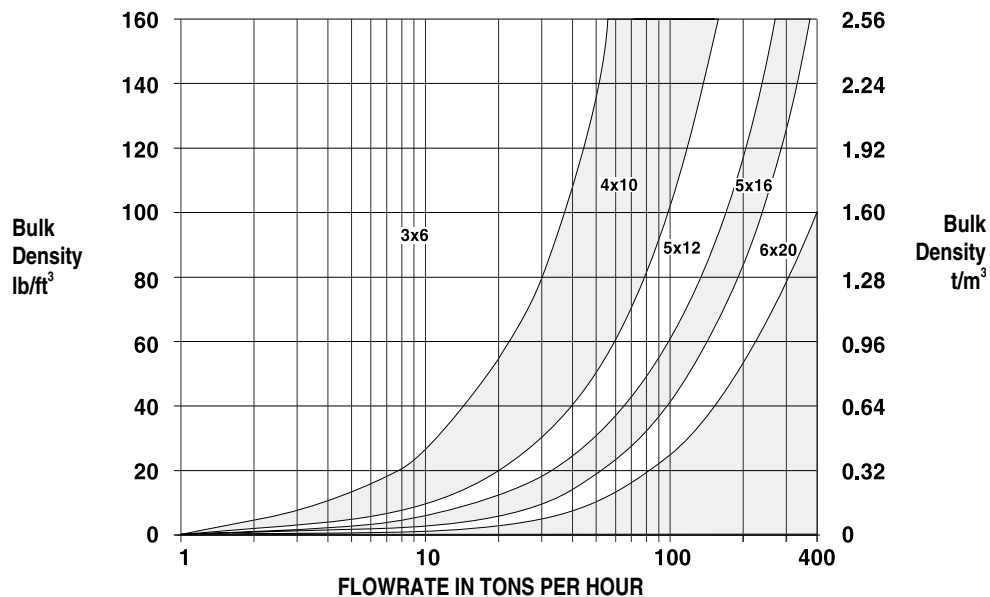
Dimensions (continued)

V-Series



Size	A	B	C	D	E	F	G	H	J	K
V-40 1	152 mm (6")	686 mm (27")	304 mm (12")	254 mm (10")	508 mm (20")	457 mm (18")	152 mm (6")	203 mm (8")	508 mm (20")	254 mm (10")
V-40 2	254 mm (10")	686 mm (27")	304 mm (12")	254 mm (10")	508 mm (20")	457 mm (18")	254 mm (10")	203 mm (8")	508 mm (20")	254 mm (10")
V-40 3	305 mm (12")	686 mm (27")	304 mm (12")	254 mm (10")	508 mm (20")	457 mm (18")	305 mm (12")	203 mm (8")	508 mm (20")	254 mm (10")
V-300 1	406 mm (16")	1041 mm (41")	343 mm (12")	305 mm (12")	610 mm (24")	762 mm (30")	127 mm (5")	254 mm (10")	610 mm (24")	330 mm (13")
V-300 2	508 mm (20")	1041 mm (41")	343 mm (13.5")	356 mm (14")	711 mm (28")	762 mm (30")	152 mm (6")	254 mm (10")	610 mm (24")	381 mm (15")

"V" SERIES FLOWGUIDE CAPACITY CHART

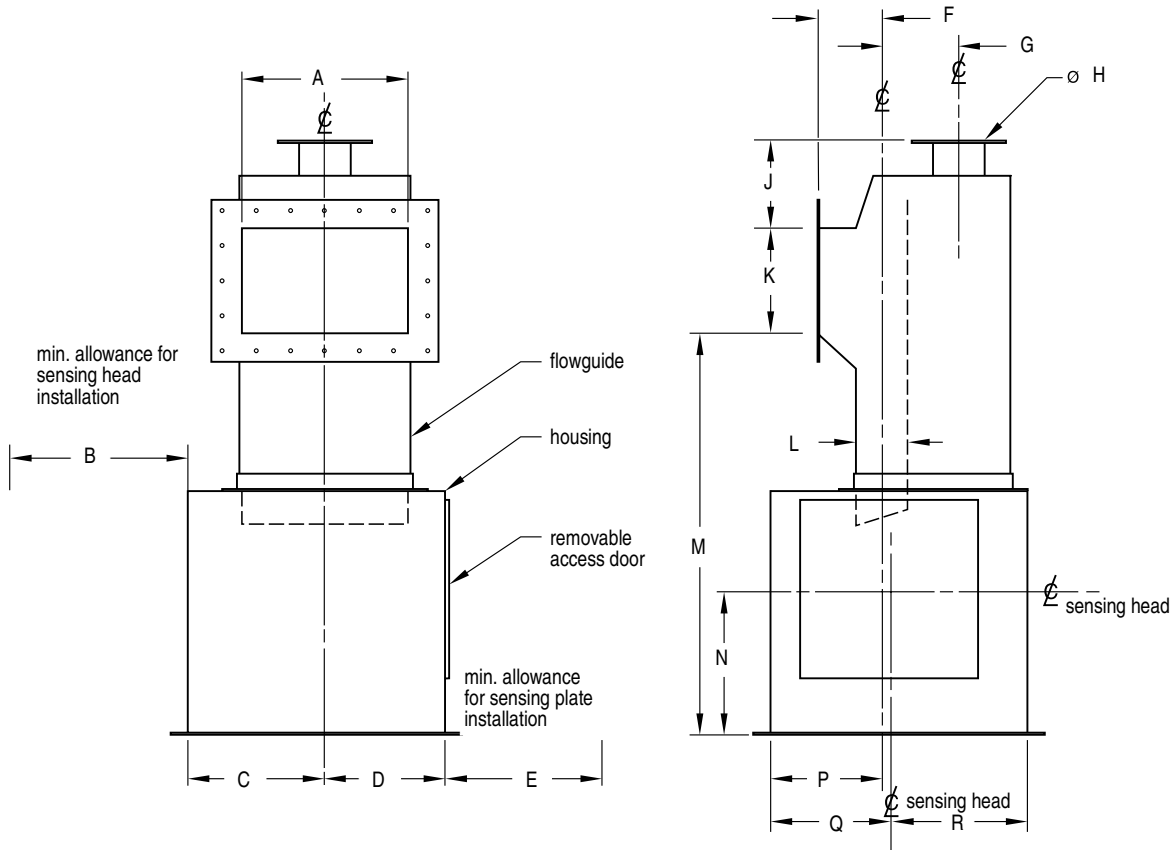


Should the material bulk density and flowrate be near a flowguide upper limit, choose the next larger flowguide

E-V-A Flowmeters

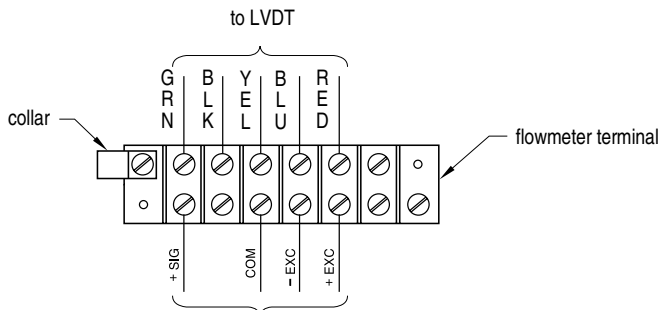
Dimensions (continued)

A-Series



Size	A	B	C	D	E	F	G	H	J	K	L	M	N	P	Q	R
A-40 1	203 mm (8")	686 mm (27")	305 mm (12")	254 mm (10")	711 mm (28")	127 mm (5")	203 mm (8")	102 mm (4")	229 mm (9")	203 mm (8")	76 mm (3")	914 mm (36")	305 mm (12")	229 mm (9")	229 mm (9")	330 mm (13")
A-40 2	305 mm (12")	686 mm (27")	305 mm (12")	254 mm (10")	711 mm (28")	127 mm (5")	203 mm (8")	102 mm (4")	229 mm (9")	203 mm (8")	102 mm (4")	914 mm (36")	305 mm (12")	229 mm (9")	229 mm (9")	330 mm (13")
A-300 1	254 mm (10")	1041 mm (41")	406 mm (16")	356 mm (14")	889 mm (35")	191 mm (7.5")	229 mm (9")	152 mm (6")	254 mm (10")	305 mm (12")	127 mm (5")	1168 mm (46")	419 mm (16.5")	330 mm (13")	356 mm (14")	406 mm (16")
A-300 2	356 mm (14")	1041 mm (41")	406 mm (16")	356 mm (14")	889 mm (35")	191 mm (7.5")	229 mm (9")	152 mm (6")	254 mm (10")	305 mm (12")	152 mm (6")	1168 mm (46")	419 mm (16.5")	330 mm (13")	356 mm (14")	406 mm (16")
A-300 3	508 mm (20")	1041 mm (41")	406 mm (16")	356 mm (14")	889 mm (35")	191 mm (7.5")	229 mm (9")	152 mm (6")	254 mm (10")	305 mm (12")	178 mm (7")	1168 mm (46")	419 mm (16.5")	330 mm (13")	356 mm (14")	406 mm (16")

Wiring



To the integrator (Compu M/CompuFlo III)
Consult Milltronics representative for
hazardous rated versions.



Australia	Tel.: +61 3-9695-2400	Fax: +61 3-9695-2450
Belgium	Tel.: +32(0)3326 45 54	Fax: +32(0)3326 05 25
Canada	Tel.: +1 705-745-2431	Fax: +1 705-741-0466
France	Tel.: +33 4 42 65 69 00	Fax: +33 4 42 58 63 95
Germany	Tel.: +49 721 595 4607	Fax: +49 721 595 4937
Hong Kong	Tel.: +85 2-2856-3166	Fax: +85 2-2856-2962
Mexico	Tel.: +52 5 575-27-28	Fax: +52 5 575-26-86
The Netherlands	Tel.: +31(0)76 542 7 542	Fax: +31(0)76 542 8 542
Switzerland	Tel.: +41 21 791 58 28	Fax: +41 21 791 58 40
United Kingdom	Tel.: +44 1905-450500	Fax: +44 1905-450501
United States	Tel.: +1 817-277-3543	Fax: +1 817-277-3894

www.milltronics.com