

## Replacing Display PROM on 9782 Analyzers Upgrade Kit Instructions

### Instruction Sheet

Document: 70-82-33-47  
Revision: B  
Effective: 2/99  
Supersedes: Nothing

### Parts Required:

- PROM p/n 51198184 - 001 for pH
- PROM p/n 51198104 - 001 for Conductivity
- PROM p/n 51198105 - 001 for Specific Ion

### Tools Required:

- ESD wrist strap
- ¼" Nut driver
- Slotted screwdriver
- PLC chip extractor by OK International Burndy QILEXT-1 found in Digit Key Catalog (or large unwound paper clip to shimmy underneath chip and lift out of socket)

### Procedure

Part one of this procedure provides the steps to replace the display PROM in the 9782 Analyzer. Part two shows how to initialize the software upgrade in the analyzer.



#### **WARNING**

Insure power is disconnected from mains and relay contacts before starting.

---

### Part One – Replacing the Display PROM

Step	Action
1	Affix ESD wrist strap and insure proper grounding.
2	Open front bezel. Remove display cable from display card.  <b>If unit was purchased prior to 10/28/98 and has not received Shield Retrofit:</b>
3	Remove bezel from case by squeezing pivot arms so they are removed from the upper and lower retainers. Proceed to Step 7.

Procedure continued on next page ⇒

Replacing the 9782 Analyzer Display PROM Procedure, continued

Step	Action
<b>If unit was purchased on or after 10/28/98:</b>	
4	Loosen single screw on safety shield until safety shield can be easily removed from base unit.
5	Loosen lower retainer screw (See Figure 1) and remove upper retainer screw.
6	Remove pivot tabs from holes located in upper and lower retainers.
7	Lay front of bezel on clean, flat surface.
8	Remove the four mounting screws. Set screws aside to re-use.
9	Remove shield.
10	The display prom resides in a socket located on the upper left-hand quadrant of the display PC card. The prom is keyed with an angular cut on its lower right-hand corner. This same notch is located on the lower right-hand corner of the socket.
11	Using the chip extractor, gently remove the old prom and dispose of it immediately to avoid confusion with the new prom.
12	Line up the notched side of the new prom with the notched side of the socket and gently but firmly push prom into socket.
13	Replace shield over display PC card and secure both with the mounting screws removed in Step 8.
14	Insert pivot tabs in holes located in upper and lower retainers. For models after 10/28/98, tighten screws on both retainers parallel to case top or bottom.
15	Replace display cable making sure to align all contact pins.
16	Replace bezel.

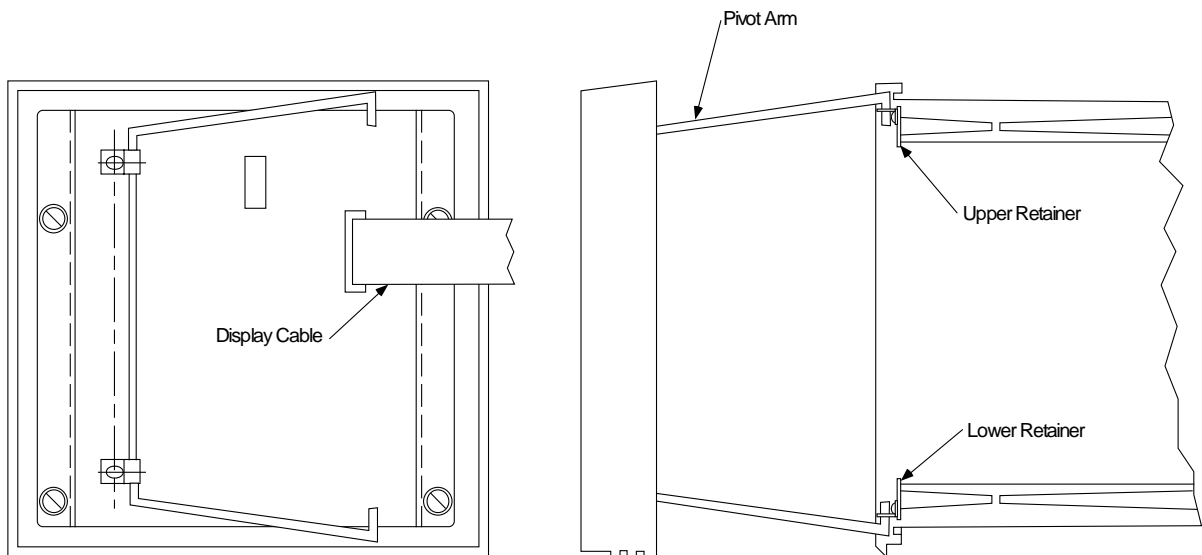


Figure 1

Procedure continued on next page ⇒

---

**ATTENTION**

Analyzer needs to be reset and initialized after the prom change. Follow the steps below.

---

**Part Two – Initializing Software Upgrade**

<b>Step</b>	<b>Action</b>
<b>17</b>	Supply mains power to the unit.
<b>18</b>	Press F1, F2 and the UP and DOWN arrow keys simultaneously to initiate a “RESET4.” <ul style="list-style-type: none"><li>• Wait for a screen with MODEL NUMBER (e.g., 9782C-SO-VC-XXXXXXX) to appear.</li></ul>
<b>19</b>	Press the F1 key (EDIT) and observe the screen titled FACTORY PASSWORD. <ul style="list-style-type: none"><li>• Press the UP arrow key once, and then program password +1120 using the soft keys (F2 and F3) and the UP and DOWN arrow keys.</li><li>• Once programmed, press the Enter key.</li></ul>
<b>20</b>	The MODEL NUMBER (e.g., 9782C-SO-VC-XXXXXXX) screen should reappear.
<b>21</b>	Using the soft keys (F2 and F3) and the UP and DOWN arrow keys, program the appropriate model number for the analyzer being upgraded (reference the tag on the side of the analyzer for correct model number).
<b>22</b>	When finished, press the Enter key and wait for the display screen to appear.
<b>23</b>	When the display screen appears, the software upgrade has been successfully initialized. The analyzer must now be configured as if it were just taken out of the box (refer to the User's Manual).

---

# Honeywell

---

**Industrial Automation and Control**  
Honeywell, Inc.  
1100 Virginia Drive  
Fort Washington, Pennsylvania 19034

70823347 rev.B

Page 3 of 3